

Job Name/Location:

Tag #:

Date:

For: File Resubmit
 Approval Other _____

PO No.:

Architect:

GC:

Engr:

Mech:

Rep:

(Company)

(Project Manager)

PDRYCB100

Simple Dry Contact



Electrical:

Power Supply	12 VDC (from indoor unit)
--------------	---------------------------

Surrounding Conditions:

Operating Temperature	14 - 158 °F
Storage Temperature	-4 - 176 °F
Humidity	0-98% (non-condensing)

Unit Data:

Dimensions	4-1/8" W x 3-1/16" H x 1-3/8" D
Contact Rating	3A @ 250 VAC

Standard Features

- Remote On/Off of Indoor Unit
- Operation and Error Status Monitoring
- Compatible with all Multi V and select DFS units¹

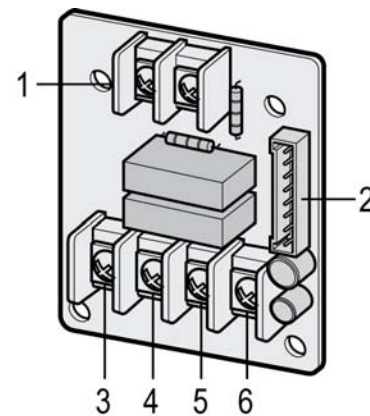
Notes:

1. Please refer to applicable Indoor Unit manual for compatibility..
2. Must follow installation instructions in the applicable LG installation manual.

Connectivity:

LG Communications	<ul style="list-style-type: none"> • 30" Wiring Harness (included) • PI485 PCB Central Control Connection Harness (included)
-------------------	--

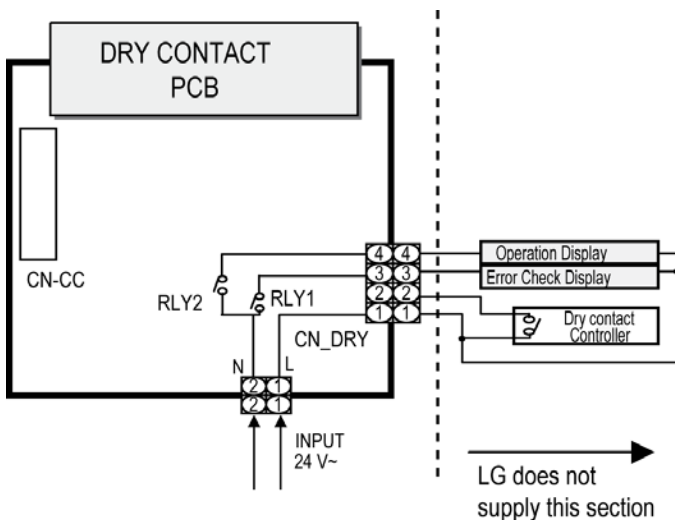
Description:



- | | |
|---------------------------------------|--|
| 1 CN-POWER: 24 V Connector | 4 CN_DRY (SIG): DRY CONTROLLER Connector |
| 2 CN-CC: Indoor PCB Connector | 5 CN_DRY (ERROR CHECK): ER |
| 3 CN_DRY(L): DRY CONTROLLER Connector | 6 CN_DRY (OPER STATE): Oper CONTROLLER Connector |

Wiring:

Apply power source through PCB



Apply power source directly to external source

