



Wall & Ceiling Pressure Pickup Ports & Temp./Pressure Pickup Combos

Features & Options

- Economical & Easy to Install
- Includes 80 Micron Filter
- Accommodates 1/8" I.D. to 5/32" I.D. Tubing

The Wall Pressure Pickup Port comes standard on a brushed stainless steel plate or in a Delta Style enclosure, both sized to fit a common 2" x 4" electrical box. A foam gasket seals the plate or enclosure to the wall. The Wall Plate and Delta Style Enclosure can be used for pressure alone or as a combination temperature sensor and port.

BAPI also offers a Ceiling Mount Square Cover that fits a standard 3/4" thick suspended ceiling tile and a rectangular version with a 2" x 4" electrical box.

The Low Profile Port is ideal for locations where aesthetics are as important as the pressure measurement. The only visible portion is a flush 7/8" dot on the wall. The built in surge damper smoothes out rapid variations in air pressure for a more stable reading.



Wall Plate



Delta Style Enclosure



Ceiling Mount Cover & J-Box



Ceiling Mount Square Cover



Low Profile Port

Specifications

Environmental Operation Range:

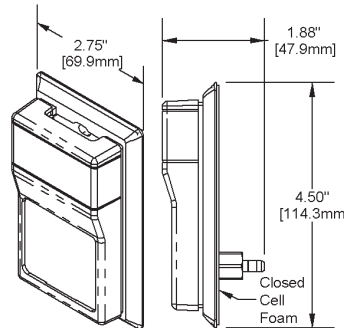
Delta Style, Wall & Ceiling Plates
 Temp: 32 to 122 °F (0 to 50 °C)
 Humidity: 0% to 95% RH, non-condensing

Low Profile Port
 Temp: -40 to 185°F, (-40 to 85°C)
 Humidity: 0% to 100% RH, non-condensing

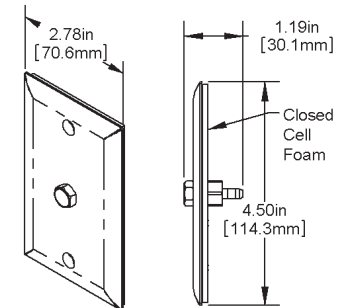
Material:

Delta Style & Low Profile:
 ABS Plastic, UL 94, V-0

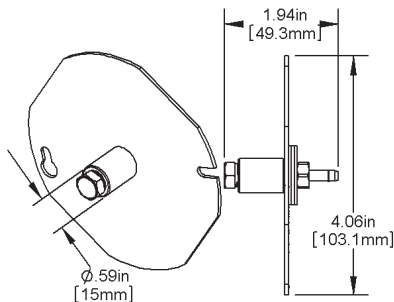
Wall & Ceiling Plates: Stainless Steel



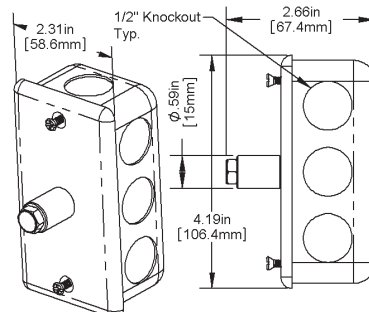
Delta Enclosure



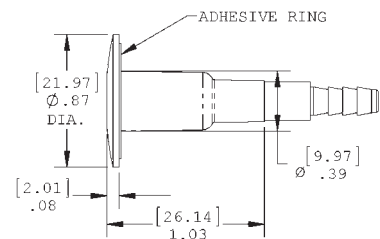
Wall Plate



Ceiling Mount Cover



Ceiling Mount Cover & J-Box



Low Profile Port





Zone Pressure Pickup Ports

C19

Rev. 01/12/16

Zone Pressure Sensors (ZPS)

Datasheets without List Prices are available on our website at www.bapihvac.com

Wall & Ceiling Pressure Pickup Ports

Ordering Information			Pressure Pickup Ports	List Price	Your Order	
ZPS						
			Pressure Pickup Type			
	-ACC	Option Description				
		01	2" X 4" Stainless Steel Wall Plate with Static Pickup	\$18	\$ _____	
		02	Unassigned			
		03	Room Mount Delta Style Enclosure with Static Pickup	\$15	\$ _____	
		04	Unassigned			
		05	Ceiling Mount Square Cover with Static Pickup	\$15	\$ _____	
		06	Ceiling Mount Rectangular 2" X 4" Cover and Box with Static Pickup	\$17	\$ _____	
		20	Low Profile Pressure Pickup Port	\$30	\$ _____	
EXAMPLE						
ZPS	-ACC	03				
Example Part Number: ZPS-ACC03				Total =	\$ _____	
Your Part Number:						

Combination Wall Pressure Pickup Port & Temperature Sensors

Ordering Information			Combination Pressure Pickup Port & Temp Sensors	List Price	Your Order	
ZPS						
			Pressure Pickup Type			
	-ACC	Option Description				
		01	2" X 4" Stainless Steel Wall Plate with Static Pickup	\$18	\$ _____	
		02	Unassigned			
		03	Room Mount Delta Style Enclosure with Static Pickup	\$15	\$ _____	
		04	Unassigned			
			Temperature Sensor Type			
		-0	100 Platinum RTD, 100 Ω @ 0 °C, 0.385 Δ /°C temp. coeff.	RTD's \$25 Each	\$ _____	
		-1375	1K Platinum RTD, 1,000 Ω @ 0 °C, 3.75 Δ /°C temp. coeff.			
		-1	1K Platinum RTD, 1,000 Ω @ 0 °C, 3.85 Δ /°C temp. coeff.			
		-2	2K Silicon RTD, 2,000 Ω @ 20 °C, 8 Δ /°C temp. coeff.			
		-18	1.8K Thermistor, 1,800 Ω @ 25 °C	Thermistors \$18 Each	\$ _____	
		-22	2.2K Thermistor, 2,200 Ω @ 25 °C			
		-3	3K Thermistor, 3,000 Ω @ 25 °C			
		-33	3.3K Thermistor, 3,300 Ω @ 25 °C			
		-102	10K-2 Thermistor, 10,000 Ω @ 25 °C			
		-103	10K-3 Thermistor, 10,000 Ω @ 25 °C			
		-10311	10K-3(11K) Therm., 5,238 Ω @ 25 °C, 11kΩ shunt resistor			
		-20	20K Thermistor, 20,000 Ω @ 25 °C			
		-47	47K Thermistor, 47,000 Ω @ 25 °C			
		-50	50K Thermistor, 50,000 Ω @ 25 °C			
		-100	100K Thermistor, 100,000 Ω @ 25 °C			
		-334	LM334 Semiconductor	Semi-conductors \$25 Each	\$ _____	
		-592	AD592 Semiconductor, 273 μ A @ 0 °C			
		-592-10K	AD592 Semiconductor with a 10 kΩ shunt resistor, 2.73 V @ 0 °C			
EXAMPLE						
ZPS	-ACC	03	-102			
Example Part Number: ZPS-ACC03-102				Total =	\$ _____	
Your Part Number:						

Call BAPI if you have questions about the above ordering grid or the configuration of the product you are ordering.

Ceiling Mount Pickup Installation

The Ceiling Mount pickup is designed to fit through a standard 3/4-inch thick ceiling tile. Cut a 5/8-inch hole in the tile and place the static pressure sensor on top of the tile with the filter extending through the hole. The filter should stick out slightly below the tile's room surface. Attach tubing to the barbed fitting on the back of the pickup port and run the tubing to the pressure sensor. An optional Junction Box is available for the cover to protect the barbed fitting.

