



Rev. 04/16/15

Remote Probe Transmitter

Wireless Temperature Sensing

F7

Features & Options

- 8 Year Battery Life (with two 3.6V lithium batteries, full AA size)
- 100 Foot In-Building Range, Extendable to 1,000 Feet with Repeater*
- Transmitted signals can be converted to a Voltage, Current or Resistance
- Plenum Rated Cable or FEP Jacketed Cable
- Double Encapsulated Probe Sensor
- 2 Year Warranty



Wireless Remote Probe Transmitter

BAPI Wireless Remote Probes feature a 1.75" long stainless steel probe with either Plenum-Rated Cable or FEP-Jacketed Cable and a watertight BAPI-Box Enclosure. Standard lead lengths are 18", 5', 10', 15', 20', and 25'. Remote Probes are commonly used in refrigerated case or strap-on applications. They are ideal for hard-to-access areas or for applications where the usual Immersion or Duct Sensors do not fit well. Additional cable options, lead lengths and probe styles are available upon request.

The Wireless Remote Probe Transmitter measures the temperature and transmits the data through 418MHz RF to a receiver. It has an in-building range of 100 feet* and an estimated battery life of 8 years using two high-capacity 3.6V lithium batteries with a transmit rate of about once every 20 seconds. Each transmitter has a unique address with built in error detection. Each variable sent by the transmitter is picked up by the receiver and converted by a BAPI Analog Output Module to a voltage, current or resistance signal which is sent to the controller.

PART #: BA/WT-RPP-5' - Remote Probe, Plenum Rated Cable - 5' Leads

PART #: BA/WT-RPP-10' - Remote Probe, Plenum Rated Cable - 10' Leads

PART #: BA/WT-RPP-15' - Remote Probe, Plenum Rated Cable - 15' Leads

PART #: BA/WT-RPP-20' - Remote Probe, Plenum Rated Cable - 20' Leads

PART #: BA/WT-RPP-25' - Remote Probe, Plenum Rated Cable - 25' Leads

PART #: BA/WT-RPFEP-5' - Remote Probe with FEP Jacketed Cable - 5' Leads

PART #: BA/WT-RPFEP-10' - Remote Probe with FEP Jacketed Cable - 10' Leads

PART #: BA/WT-RPFEP-15' - Remote Probe with FEP Jacketed Cable - 15' Leads

PART #: BA/WT-RPFEP-20' - Remote Probe with FEP Jacketed Cable - 20' Leads

PART #: BA/WT-RPFEP-25' - Remote Probe with FEP Jacketed Cable - 25' Leads

PART #: BA/LI3620 - Lithium Battery, 3.6 Volt (for Wireless Transmitters)

See end of Section F for list pricing.

Specifications

Supply Power: Two 3.6V Lithium batteries, 8 year battery life at 20 second transmit rate

Inputs: Built in thermistor

Accuracy: ±0.36°F (±0.2°C)

Transmitted Range: -40 to 185°F (-40 to 85°C)

Environmental Operation Range:

Temp: -40 to 185°F (-40 to 85°C)

Humidity: 0% to 100% RH, non-condensing

Encl. Material & Rating: UV-Resistant Polycarbonate, IP66

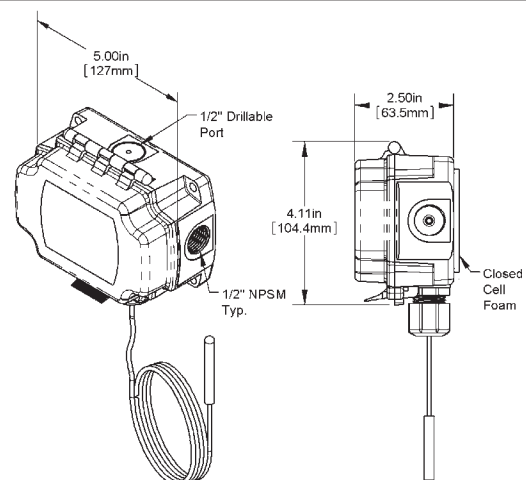
Material Rating: UL94 V-0

Radio Frequency: 418 MHz

Transmitter Interval: ~20 seconds

Antenna: Built inside the enclosure

FCC Approval: FCC ID# T4F060811TEMP



*Actual in-building transmission distances will vary depending upon building construction and other factors.



Building Automation Products, Inc. • 750 North Royal Avenue, Gays Mills, WI 54631 USA
Tel: +1-608-735-4800 • Fax: +1-608-735-4804 • Email: sales@bapivac.com • Web: www.bapivac.com

