



Features & Options

- 10 Field Selectable Pressure Ranges & 3 Field Selectable Outputs
- Optional Display Shows Pressure Over the Entire Operational Range Regardless of Which Individual Pressure Range is Selected
- Inches of Water Column (W.C.) or Pascal Operation
- Free NIST Certificate Included with Each Pressure Unit
- Simple Auto-Zero Process
- IP66 rated BAPI-Box Enclosure
- Three Year Warranty

Patent Pending



Pressure Sensor
in with Display the
BAPI-Box

BAPI's Zone Pressure Sensor with Display is an accurate, rugged and economical solution for measuring and reporting duct/building static pressure, room-to-room differential pressure or air velocities/volumes. The heart of the unit is a micro-machined silicon pressure sensor. The capacitive sensor design inherently provides excellent accuracy, repeatability and stability.

The optional LCD display helps with troubleshooting because it displays the actual differential pressure over the entire operational range (-5 to +5 inches W.C. or -1,000 to 1,000 Pascals) regardless of which individual pressure range is selected for output to the system controller.

Pressure Sensor with Attached Static Tube

The unit is available with an Attached Static Tube so it doesn't require two trades to install the unit. Choose the (-AT) option in the Static Pressure Probe section of the ordering grid at right.



Specifications

Power:

7 to 40 VDC (4 to 20 mA Output)
7 to 40 VDC or 18 to 28 VAC (0 to 5 VDC Output)
13 to 40 VDC or 18 to 28 VAC (0 to 10 VDC Output)

Power Consumption:

20 mA max, DC only at 4 to 20 mA Output
4.9 mA max DC at 0 to 5 VDC or 0 to 10 VDC Output
0.12 VA max AC at 0 to 5 VDC or 0 to 10 VDC Output

Load Resistance:

4 to 20 mA Output 850 Ω Maximum @ 24 VDC
0 to 5 VDC or 0 to 10 VDC output 1K Ω minimum

Accuracy at 72°F: $\pm 0.25\%$ of range

Stability: $\pm 0.25\%$ F.S. per year

Environmental Operation Range:

-4°F to 140°F (-20°C to 60°C)

Storage Temperature: -40°F to 203°F (-40°C to 95°C)

Temperature Error:

0.01% FS/°F (0.02% FS/°C) ($\pm 5.0"$ W.C. @ -4 to 140°F [-20 to 60°C])

Overpressure: Proof 27.68 in W.C. (1 PSI),
Burst 41.52 in W.C. (1.5 PSI)

Wiring: 2 wires (4 to 20mA Current loop)
3 wires (AC or DC powered, Voltage out)

Humidity: 0 to 95% RH, non-condensing

Port Connection:

1 High Pressure & 1 Low Pressure
for push-on 1/4-inch tubing (1/8" to 3/16" I.D.)

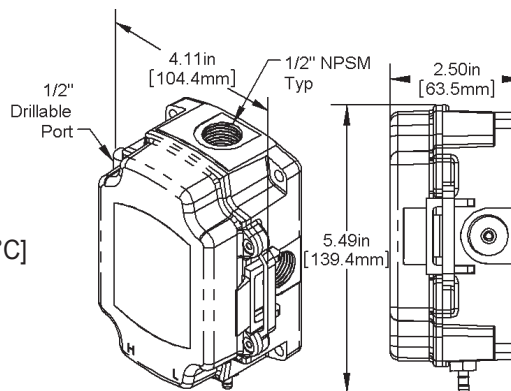
Enclosure Material:

UV-resistant Polycarbonate, UL94, V-0

Enclosure Rating: IP66, NEMA 4

Mounting:

Four external tabs with holes for #10 screws



¹BAPI recommends that you do not run wiring for the pressure transmitter in the same conduit as line voltage wiring or with wiring used to supply highly inductive loads such as motors, generators, and coils.

Note: Mount unit with the pressure fittings on the bottom to prevent condensation from entering the sensor.





Rev. 01/07/14

Pressure Sensor

Zone Pressure Sensors (ZPS)

C11

Datasheets without List Prices are available on our website at www.bapihvac.com

Ordering Information (for units without a factory specified range or output)

Part Number	Description	List Price
ZPS-SR-BB-NT-D-IN....	BAPI-Box Pressure with Display, Standard W.C. Ranges, No Tube/Probe included	\$340
ZPS-SR-BB-ST-D-IN ...	BAPI-Box Pressure with Display, Standard W.C. Ranges, with Static Pressure Probe.....	\$340
ZPS-SR-BB-AT-D-IN ...	BAPI-Box Pressure with Display, Standard W.C. Ranges, with Attached Static Tube	\$340
ZPS-SR-BB-NT-D-PA ..	BAPI-Box Pressure with Display, Standard Pascal Ranges, No Tube/Probe included	\$340
ZPS-SR-BB-ST-D-PA ..	BAPI-Box Pressure with Display, Standard Pascal Ranges, with Static Pressure Probe ..	\$340
ZPS-SR-BB-AT-D-PA ..	BAPI-Box Pressure with Display, Standard Pascal Ranges, with Attached Static Tube ...	\$340

Note: Pressure Range and Output Range for these units will be selected in the field.

Part numbers for units with a factory specified range or output

Ordering Information							List Price	Your Order
ZPS							\$340	\$ _____
Output Range								
-20	4 to 20 mA	(7 to 40 VDC Supply ONLY)						
-05	0 to 5 V	(7 to 40 VDC Supply or 18 to 28 VAC Supply)						
-10	0 to 10 V	(13 to 40 VDC Supply or 18 to 28 VAC Supply)						
Pressure Range								
-SR(range) Standard Pressure Ranges - replace (range) with option # shown below								
	Option	Range (inches W.C.)		Option	Range (Pascals)			
	71	0 to 1.00		81	0 to 250			
	72	0 to 2.00		82	0 to 300			
	73	0 to 2.50		83	0 to 500			
	74	0 to 3.00		84	0 to 1,000			
	75	0 to 5.00		85	0 to 1,250			
	76	-1.00 to 1.00		86	-250 to 250			
	77	-2.00 to 2.00		87	-300 to 300			
	78	-2.50 to 2.50		88	-500 to 500			
	79	-3.00 to 3.00		89	-1,000 to 1,000			
	80	-5.00 to 5.00		90	-1,250 to 1,250			
	Custom Range (W.C.) ***			Custom Range (Pascals) ***			\$30	
	CI	[x.xx to y.yy]*		CP	[xxxx to yyyy]**	Net Add***		
Enclosure Style (Must Select One)								
	-BB	BAPI-Box Enclosure - IP66 rated, UV-resistant polycarbonate					\$0	
Static Pressure Probe (Must Select One)								
	-NT	No Tube or Probe Included					\$0	
	-ST	Static Pressure Measurement Probe Included (not attached)					\$0	
	-AT	Attached Static Pressure Probe (Not available with Back Mount [-BM])					\$0	
Optimal LCD Display								
	-D	LCD Display					\$0	
Back Mounting Options (Omit if not required)								
	-BM	Back Mount (pressure ports run out the back, not available with Attached Static Pressure Probe [-AT])					\$0	
EXAMPLE								
ZPS	-20	-SR71	-BB	-NT	-D	-BM		
Example Part Number: ZPS-20-SR71-BB-NT-D-BM							Total =	\$ _____
Your Part Number:								

While field technicians can easily set up custom ranges in the field, BAPI will setup custom ranges in our factory. See the notes below for additional information and fees.

*For custom W.C. ranges, x.xx and y.yy can be any pressure from -5.00 to +5.00 inches W.C. However, x.xx must be less than y.yy and y.yy - x.xx must be at least 1 inch. (Example: ZPS-20-SRCI[0.00 to 3.50]-BB-NT-D-BM)

**For custom Pascal ranges, xxxx and yyyy can be any pressure between -1250 to +1250 Pascals. However, xxxx must be less than yyyy and yyyy - xxxx must be at least 250 Pascals. (Ex: ZPS-20-SRCP[0 to 750]-BB-NT-D-BM)

***There is a net add of \$30 for custom ranges. Multipliers do not apply to net adds. Custom Ranges include a certification of 3 points within the custom pressure range.

