



Rev. 04/16/15

Outside Air Temp./Humidity Transmitter

F9

Wireless Temperature and/or Humidity

Features & Options

- 8 Year Battery Life (with two 3.6 volt lithium batteries, full AA size)
- 100 Foot In-Building Range, Extendable to 1,000 Feet with Repeater*
- Temperature and Humidity signals can be converted to Voltage, Current or Resistive Outputs for the Controller
- Watertight BAPI-Box Enclosure
- Quick Response Sensor
- 2% RH Accuracy
- 2 Year Warranty



Wireless Outside Air Temperature and Humidity Transmitter

BAPI Wireless Outside Air Temperature and Humidity Transmitters are designed to be mounted outdoors. The UV-resistant plastic shield keeps the sensor out of the sunlight and allows for excellent air circulation. The Outside Air Units come with a watertight BAPI-Box enclosure which is made of UV-resistant polycarbonate and carries an IP66 rating.

The Wireless Outside Air Temperature and Humidity Transmitter measures the temperature and humidity and transmits the data through 418MHz RF to a receiver. It has an in-building range of 100 feet* and an estimated battery life of 8 years using two high-capacity 3.6V lithium batteries with a transmit rate of about once every 20 seconds. Each transmitter has a unique address with built in error detection. Each variable sent by the transmitter is picked up by the receiver and converted by a BAPI Analog Output Module to a voltage, current or resistance signal which is sent to the controller.

PART #: BA/WTH-O-BB - Wireless Outside Air Temperature and Humidity Transmitter

PART #: BA/LI3620 - Lithium Ion AA Battery, 3.6V, for all Transmitters except the BAPI-Slim and Wireless Food Probe

See end of Section F for list pricing.

Specifications

Supply Power: Two 3.6V Lithium batteries, 8 year battery life at 20 second transmit rate

Sensing Elements:

Temp. - Semiconductor Band Gap, Proportional to Absolute Temperature, $\pm 0.54^{\circ}\text{F}$ ($\pm 0.3^{\circ}\text{C}$) @ 25°C
Humidity - Capacitive Polymer, $\pm 2\%$ RH Accuracy, 10 to 90% @ 25°C

Transmitted Range: -40 to 185°F (-40 to 85°C)

Enclosure Rating: IP66

Enclosure Material:

UV-Resistant Polycarbonate

Material Rating: UL94 V-0

Environmental Operation Range:

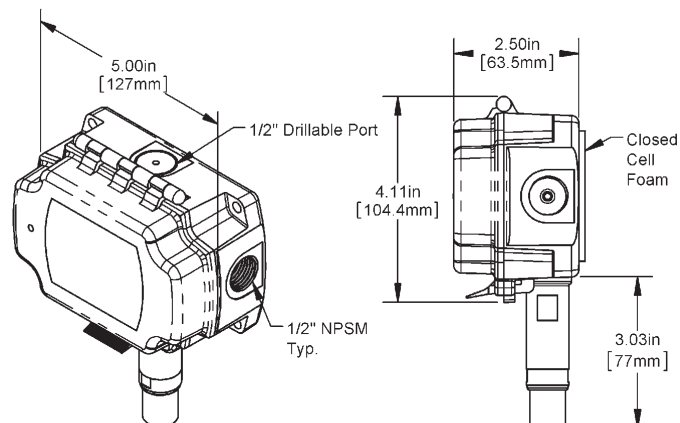
Temp: -22 to 158°F (-30 to 70°C)
Humidity: 0 to 100% RH

Radio Frequency: 418 MHz

Transmitter Interval: ~20 seconds

Antenna: Built inside the enclosure

FCC Approval: FCC ID# T4F060811RH



*Actual in-building transmission distances will vary depending upon building construction and other factors.

