



## Features & Options

- Measures Air and Non-Corrosive Gasses
- Multiple Color LED Pressure Indication
- Free NIST Certificate Included with Each Pressure Unit
- Simple Auto-Zero Process
- Reverse Wiring Protection
- Single Pressure Range and Single Output Range
- 3 Year Warranty

BAPI's Fixed Range Pressure Sensor (FRP) is an economical solution for any cost-conscious application. The FRP features one factory-set pressure range and one factory-set output range. A single button is used to auto-zero the unit.

A colored LED indicates the pressure status:

- Red – over pressure
- Green – top half of span
- Amber – center of span
- Blue – bottom half of span
- Purple – under pressure

Patent Pending



**Fixed Range Pressure Sensor in the BAPI-Box**

### Sensor with Attached Static Tube

The unit is available with an Attached Static Tube so it doesn't require two trades to install the unit. Choose the **(-AT)** option in the Static Pressure Probe section of the ordering grid at right.



## Specifications

### Power:

18 to 28 VAC, 0.4 VA max  
9 to 32 VDC with 0 to 5V output, 10 mA max  
13 to 32 VDC with a 0 to 10V out, 10mA max

### Accuracy at 72°F

±1% for pressures ≤ 0.25" WC (62.5 Pa)  
±0.5% for pressures > 0.25" WC (62.5 Pa)

### Temperature Error

0.01% FS/°F (0.02% FS/°C)  
(±5.0 in WC [1,250 Pa] @ -4 to 140°F [-20 to 60°C])

0.04% FS/°F (0.07% FS/°C)  
(±1.0 in WC [250 Pa] @ -4 to 140°F [-20 to 60°C])

**Storage Temperature:** -40 to 203°F (-40 to 95°C)

**Stability:** 0.15% FS per year

### Overpressure

Proof: 27.68 in W.C. (1 PSI)  
Burst: 41.52 in W.C. (1.5 PSI)

**Wiring\*:** 3-wires, AC or DC powered, Voltage out

\*BAPI recommends that you do not run wiring for the pressure transmitter in the same conduit as line voltage wiring or with wiring used to supply highly inductive loads such as motors, generators, and coils.

**Note:** Mount unit with the pressure fittings on the bottom to prevent condensation from entering the sensor.

**Humidity:** 0 to 95% RH, non-condensing

### Port Connection:

1 High Pressure & 1 Low Pressure for push-on 1/4" tubing (1/8" to 3/16" I.D.)

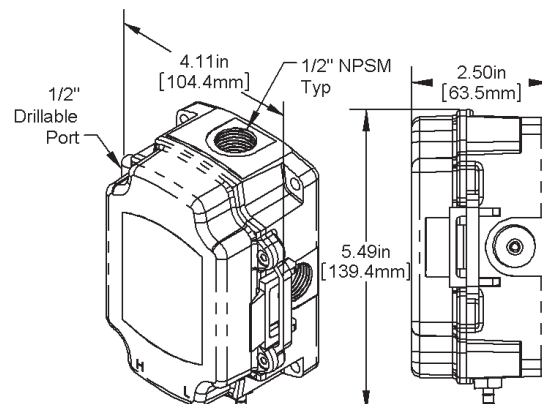
### Enclosure Material:

UV-resistant Polycarbonate, UL94, V-0

**Enclosure Rating:** IP66, NEMA 4

### Mounting:

Four external tabs with holes for #10 screws





Rev. 05/30/14

# Fixed Range Pressure Zone Pressure Sensors (ZPS)

C17

Datasheets without List Prices are available on our website at [www.bapihvac.com](http://www.bapihvac.com)

Ordering Information						List Price	Your Order
<b>Fixed Range Pressure in a BAPI-Box, Factory Ranges</b>						\$235	\$ _____
<b>ZPS</b>							
<b>Output Range</b>							
-05	0 to 5 V						
-10	0 to 10 V						
-12	2 to 10 V						
-15	1 to 5 V						
<b>Pressure Range</b>							
-FR(range)	Standard Pressure Ranges - replace (range) with option # shown below						
	<b>Option</b>	<b>Range (inches W.C.)</b>	<b>Option</b>	<b>Range (Pascals)</b>			
	51	0 to 0.10	61	0 to 30			
	52	0 to 0.25	62	0 to 50			
	53	0 to 0.50	63	0 to 100			
	55	0 to 1.00	65	0 to 250			
	91	0 to 1.25	82	0 to 300			
	73	0 to 2.50	83	0 to 500			
	74	0 to 3.00	84	0 to 1,000			
	75	0 to 5.00	85	0 to 1,250			
	56	-0.10 to 0.10	66	-30 to 30			
	57	-0.25 to 0.25	67	-50 to 50			
	58	-0.50 to 0.50	68	-100 to 100			
	60	-1.00 to 1.00	70	-250 to 250			
	96	-1.25 to 1.25	87	-300 to 300			
	78	-2.50 to 2.50	88	-500 to 500			
	79	-3.00 to 3.00	89	-1,000 to 1,000			
	80	-5.00 to 5.00	90	-1,250 to 1,250			
	<b>Custom Range (W.C.)*</b>		<b>Custom Range (Pascals)**</b>				
	CI	[x.xx to y.yy]*	CP	[xxxx to yyyy]**			
<b>Enclosure Style (Must Select One)</b>							
-BB	BAPI-Box Enclosure - IP66 rated, UV-resistant polycarbonate					\$0	
<b>Static Pressure Probe (Must Select One)</b>							
-NT	No Tube or Probe Included					\$0	
-ST	Static Pressure Measurement Probe Included (not attached)					\$0	
-AT	Attached Static Pressure Probe (Not available with Back Mount [-BM])					\$0	
<b>Back Mounting Options (Omit if not required)</b>							
-BM	Back Mount (pressure ports run out the back, not available with Attached Static Pressure Probe [-AT])					\$0	
EXAMPLE							
ZPS	-05	-FR51	-BB	-NT		Total =	\$ _____
Example Part Number: ZPS-05-FR51-BB-NT							
<b>Your Part Number:</b>							

\* For custom W.C. ranges, x.xx and y.yy can be any pressure from -5.00 to 5.00 inches W.C. If x.xx is greater than y.yy the output will be reverse acting. The difference between x.xx and y.yy must be greater than 0.10 inches W.C. A minimum of 50 pieces per order is required.

\*\* For custom Pascal ranges, xxxx and yyyy can be any pressure from -1,250 to 1,250 Pascals. If xxxx is greater than yyyy the output will be reverse acting. The difference between xxxx and yyyy must be greater than 25 Pascals. A minimum of 50 pieces per order is required.

Note: Other mounting options are available. Contact your BAPI representative for more information and minimum order quantities.

