



Features & Options

- 10 Field Selectable Pressure Ranges & 3 Field Selectable Outputs
- LCD Displays Pressure Over the Entire Operational Range Regardless of Which Individual Pressure Range is Selected
- Inches of Water Column (W.C.) or Pascal Operation
- Free NIST Certificate Included with Each Pressure Unit
- Simple Auto-Zero and One Touch Setup
- Snaptrack, DIN Rail or Surface Mounting
- Accommodates 1/8" I.D. to 5/32" I.D. Tubing
- Three Year Warranty



EZ Pressure Sensor

Measuring building pressure and air velocities or volumes doesn't get any easier than with the BAPI EZ Pressure Sensor. The revolutionary mounting system allows for 2.75" snaptrack, DIN rail or surface mounting, and the three Outputs and 10 Pressure Ranges are field selectable by simply turning the rotary switch and pressing the "Next" button. The auto-zeroing process is also very easy — simply turn the rotary switch to zero, push the button, wait for five seconds, turn the rotary switch back to your pressure range and walk away.

Besides being easy to set up and install, it is also accurate, rugged and economical. The heart of the unit is a micro-machined silicon pressure sensor. The sensor design inherently provides excellent accuracy, repeatability and stability.

The unit features a rugged NEMA 1 rated enclosure with short circuit proof outputs and reverse polarity protected inputs to perform under real world conditions.

The LCD display helps with troubleshooting because it displays the actual differential pressure over the entire operational range (5 to +5 inches W.C. or -1,250 to 1,250 Pascals) regardless of which individual pressure range is selected for output to the system controller.

Specifications

Power:

7 to 40 VDC (4 to 20 mA Output)
7 to 40 VDC or 18 to 28 VAC (0 to 5 VDC Output)
13 to 40 VDC or 18 to 28 VAC (0 to 10 VDC Output)

Power Consumption:

20 mA max, DC only at 4 to 20 mA Output
4.9 mA max DC at 0 to 5 VDC or 0 to 10 VDC Output
0.12 VA max AC at 0 to 5 VDC or 0 to 10 VDC Output

Load Resistance:

4 to 20 mA Output 850 Ω Maximum @ 24 VDC
0 to 5 VDC or 0 to 10 VDC output 1K Ω minimum

Accuracy at 72°F: $\pm 0.25\%$ of range

Stability: $\pm 0.25\%$ F.S. per year

Environmental Operation Range:

-4°F to 140°F (-20°C to 60°C)

Storage Temperature: -40 to 203°F (-40 to 95°C)

Temperature Error:

0.01% FS/°F (0.02% FS/°C) (± 5.0 " W.C. @ -4 to 140°F [-20 to 60°C])

Overpressure: Proof: 27.68" W.C. (1 PSI),
Burst: 41.52" W.C. (1.5 PSI)

Wiring: 3-wire removable terminal block (14 to 24 AWG)*
2 wires (4 to 20mA Current loop)*
3 wires (AC or DC powered, Voltage out)*

Humidity: 0 to 95% RH, non-condensing

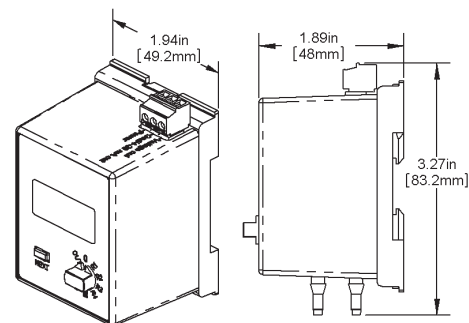
Port Connection:

1 High Pressure & 1 Low Pressure
for push-on 1/4-inch tubing (1/8" to 3/16" I.D.)

Enclosure Material: ABS Plastic, UL94, V-0

Mounting:

DIN Rail, Snaptrack or Surface Mountable



*BAPI recommends that you do not run wiring for the pressure transmitter in the same conduit as line voltage wiring or with wiring used to supply highly inductive loads such as motors, generators and coils.

Note: Mount unit with the pressure fittings on the bottom to prevent condensation from entering the sensor.





Rev. 01/07/14

EZ Pressure Sensor

Zone Pressure Sensors (ZPS)

C3

Datasheets without List Prices are available on our website at www.bapihvac.com

Ordering Information (for units without a factory specified range or output)

PART NUMBER	DESCRIPTION	LIST PRICE
ZPS-SR-EZ-NT-IN	EZ Pressure Sensor, Inches of W.C. Display, No Tube or Probe included.....	\$320
ZPS-SR-EZ-NT-PA	EZ Pressure Sensor, Pascal Display, No Tube or Probe included	\$320
ZPS-SR-EZ-ST-IN	EZ Pressure Sensor, Inches of W.C. Display with Static Pressure Probe.....	\$320
ZPS-SR-EZ-ST-PA	EZ Pressure Sensor, Pascal Display with Static Pressure Probe	\$320

Note: Pressure Range and Output Range for these units will be selected in the field.

Part numbers for units with a factory specified range or output

Ordering Information		EZ Zone Pressure Sensor with Display	List Price	Your Order					
ZPS			\$320	\$ _____					
Output Range									
-20	4 to 20 mA	(7 to 40 VDC Supply ONLY)							
-05	0 to 5 V	(7 to 40 VDC Supply or 18 to 28 VAC Supply)							
-10	0 to 10 V	(13 to 40 VDC Supply or 18 to 28 VAC Supply)							
Pressure Range									
-SR(range)	Standard Pressure Ranges - replace (range) with option # shown below								
	Option	Range (inches W.C.)	Option	Range (Pascals)					
	71	0 to 1.00	81	0 to 250					
	72	0 to 2.00	82	0 to 300					
	73	0 to 2.50	83	0 to 500					
	74	0 to 3.00	84	0 to 1,000					
	75	0 to 5.00	85	0 to 1,250					
	76	-1.00 to 1.00	86	-250 to 250					
	77	-2.00 to 2.00	87	-300 to 300					
	78	-2.50 to 2.50	88	-500 to 500					
	79	-3.00 to 3.00	89	-1,000 to 1,000					
	80	-5.00 to 5.00	90	-1,250 to 1,250					
	Custom Range (W.C.)***		Custom Range (Pascals)***						
	CI	[0 to y.yy]*	CP	[0 to yyyy]**					
	Enclosure Style								
-EZ	NEMA 1 rated enclosure			\$0					
	Optional Static Pressure Probe								
	-NT	No Tube or Probe Included		\$0					
	-ST	Static Pressure Measurement Probe Included (not attached)		\$0					
	LCD Display (See note **** below)								
	-D	LCD Display****		\$0					
EXAMPLE									
ZPS	-20	-SR71	-EZ	-NT	-D				
Example Part Number: ZPS-20-SR71-EZ-NT-D									
Your Part Number:									
								Total = \$ _____	

*Custom W.C. ranges must start at zero and y.yy can be any pressure between 0.50 and 5.00 inches W.C. Placing the unit into +/- places the custom range in bi-directional mode (Example Part # ZPS-20-SRCI[1.00 to 3.50]-EZ-NT-D)

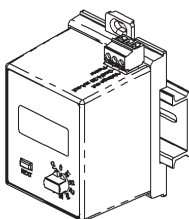
**Custom Pascal ranges must start at zero and yyyy can be any pressure between 125 and 1250 Pascals. Placing the unit into +/- places the custom range in bi-directional mode (Example Part #: ZPS-20-SRCP[250 to 750]-EZ-NT-D)

***There is a net add of \$30 for custom ranges. Multipliers do not apply to net adds. Custom Ranges include a certification of 3 points within the custom pressure range.

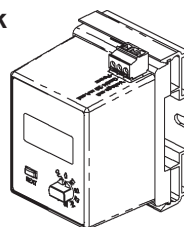
****If you do not wish to view the current pressure on the display, simply leave off the "-D" in the part number. Instead of showing the current pressure, the display will show the word "on".

Mounting Options

DIN Rail Mount



Snaptrack Mount



Screw Mount

