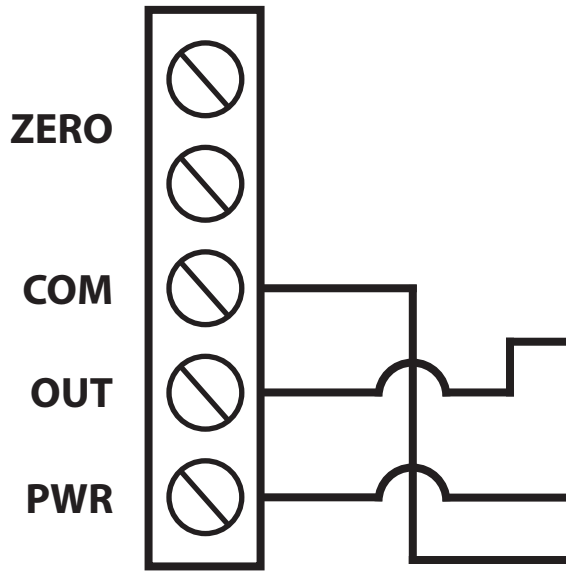


# VFD/Transducer Wiring

from Victor Distributing

## Honeywell Smart VFD



### P7640 Pressure Transducer



#### Features:

- Temperature-compensated transmitter with advanced ceramic capacitive sensing element designed for very low pressure differentials provides a stable, reliable, maintenance-free operation.
- Offer jumper selectable inches w.c. or pascal scale
- Offer uni- or bi-directional output
- Offer jumper selectable fast or standard response time
- Offers four configurable pressure ranges, selectable between 0-1" w.c./0-250 Pa or 0-10" w.c./0-2500 Pa with an easy to set rotary switch.

### Basic I/O board

Terminal	Signal
1	+10 Vref Reference output
2	AI1+ Analogue input, voltage or current
3	AI1- Analogue input common (current)
4	AI2+ Analogue input, voltage or current
5	AI2- Analogue input common (current)
6	24Vout 24V aux. voltage
7	GND I/O ground
8	DI1 Digital input 1
9	DI2 Digital input 2
10	DI3 Digital input 3
11	CM Common for DI1-DI3.
12	24Vout 24V aux. voltage
13	GND I/O ground
14	DI4 Digital input 4
15	DI5 Digital input 5
16	DI6 Digital input 6
17	CM Common for DI4-DI6.
18	AO1+ Analogue signal (+output)
19	AO-/GND Analogue output common
30	+24 VDCin 24VDC auxiliary input voltage
A	RS485 Negative
B	RS485 Positive