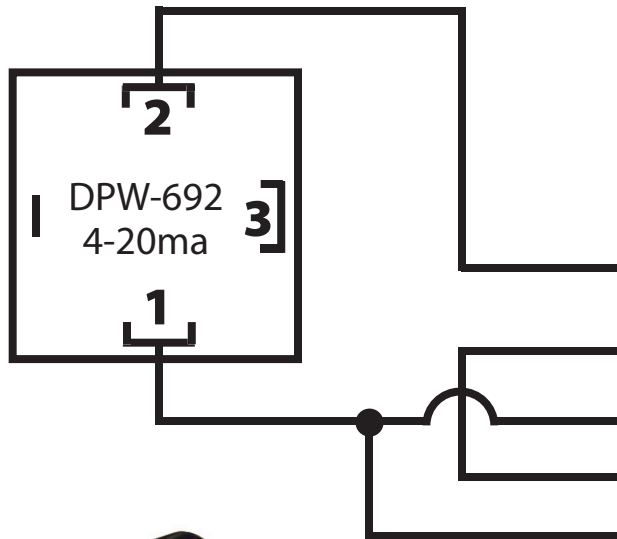


VFD/Transducer Wiring

from Victor Distributing

Honeywell Smart VFD



DPW-692-100-KIT

FEATURES

- *Competitively priced*
- *Very high quality*
- *Short circuit proof*
- *Protection from reverse polarity*
- *Compact heavy duty housing*
- *True differential pressure sensing*
- *1/2" NPT conduit connector*
- *NEMA 4 (IP65) environmental rating*
- *Mounting bracket included*

Basic I/O board

Terminal	Signal
1	+10 Vref Reference output
2	AI1+ Analogue input, voltage or current
3	AI1- Analogue input common (current)
4	AI2+ Analogue input, voltage or current
5	AI2- Analogue input common (current)
6	24Vout 24V aux. voltage
7	GND I/O ground
8	DI1 Digital input 1
9	DI2 Digital input 2
10	DI3 Digital input 3
11	CM Common for DI1-DI3.
12	24Vout 24V aux. voltage
13	GND I/O ground
14	DI4 Digital input 4
15	DI5 Digital input 5
16	DI6 Digital input 6
17	CM Common for DI4-DI6.
18	AO1+ Analogue signal (+output)
19	AO-/GND Analogue output common
30	+24 VDCin 24VDC auxiliary input voltage
A	RS485 Negative
B	RS485 Positive