



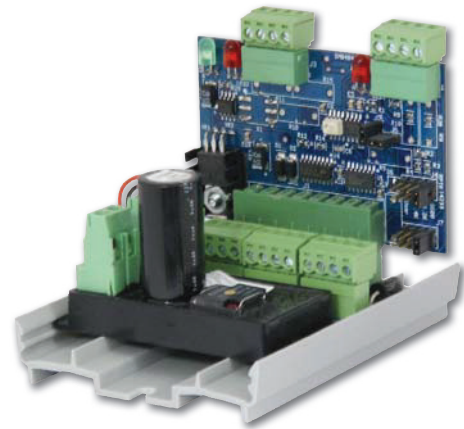
Overview

RS-485 is the most common communications standard for DDC controllers; however, it is limited to 32 unit loads and 4,000 feet. Extending the network beyond 32 unit loads or 4,000 feet requires repeaters.

The RS-485 Repeater Communication Kit provides all the functions for one repeater and remote RS-485 network, plus it comes in a self-contained, easy-to-apply and cost effective assembly. The kit also aids in troubleshooting because LEDs indicate when power is applied and communications are present.

The RS-485 Repeater Communication Kit includes:

- One RS-485 Repeater (RPTR) module which connects two RS-485 segments together. Data from one segment repeats to the other segment and vice versa. Each RPTR module allows an additional 32 unit loads and 4,000 feet;
- A 350 mA voltage converter (VC350) to provide the higher current necessary for flawless communications;
- A Single Repeater Back Plane (SRBP) to mount the RPTR module and provide pluggable connectors for power and three RS-485 cables;
- A four inch long piece of 2.75" snaptrack to easily mount the entire assembly.



RS-485 Repeater Communication Kit
(includes one RS-485 Repeater Module, a 350 mA voltage converter, a Single Repeater Backplane and a 4" piece of 2.75" snaptrack)

Ordering Information

| <u>Part Number</u> | <u>Description</u> |
|--------------------|---|
| BA/RPTR-KIT..... | RS-485 Repeater Communication Kit includes one RS-485 Repeater (RPTR) Module, a 350 mA voltage converter (VC350A), a Single Repeater Backplane (SRBP) and a 4" piece of 2.75" snaptrack |

See end of Section G for list pricing.

Specifications

Input Voltage: 18 to 30 VAC, 15 to 28 VDC

Input Current Max: 760mA (18.25 VA)

Environmental Operation Range:
0 to 50°C (32 to 122°F)
0 to 95%RH Non-Condensing

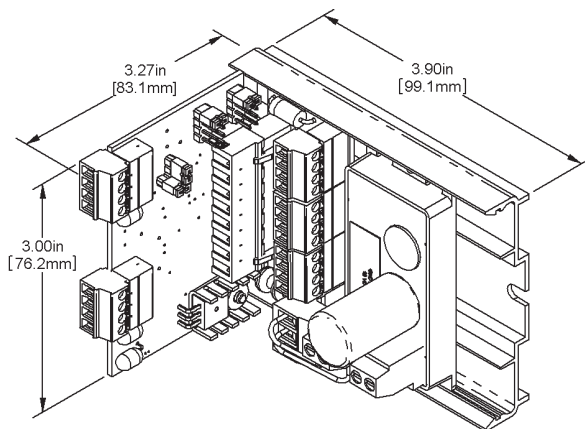
Rectification: Half-Wave Rectified

Grounding: AC and DC Ground are common

Communication Rates:
9.6K, 19.2K and 38.4K Baud

Network Load:
1 unit load on each RS-485 bus

RS-485 Network Length: 4,000ft (1.2Km)



RS-485 Repeater Communication Kit

