



Rev. 10/16/12

COMSRG - Comm. Surge Protector

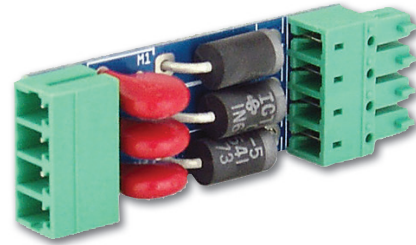
G23

ETA Line

Overview

In some applications, the transient protection on the communications terminals of DDC controllers is inadequate. Examples are roof mounted air handlers, pad mounted air conditioners or chillers – or anything attached to the building’s HVAC system but outside the building envelope.

BAPI’s COMSRG provides the extra muscle necessary to prevent damage. The COMSRG plugs between the communications network and any of the COMBLK, RPTR or TUCOM.



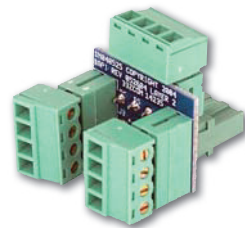
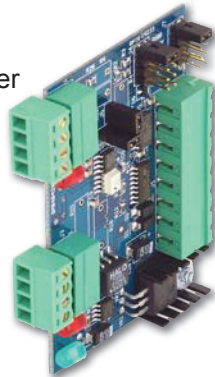
COMSRG
- Communication Surge Protector

<u>Part Number</u>	<u>Description</u>
BA/COMSRG	Communications Surge Protector

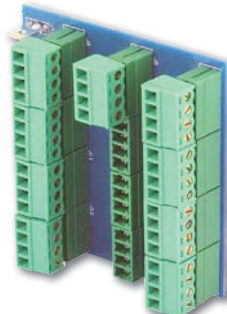
See end of Section G for list pricing.

Associated Products

RPTR
RS-485 Repeater
(p. G24)



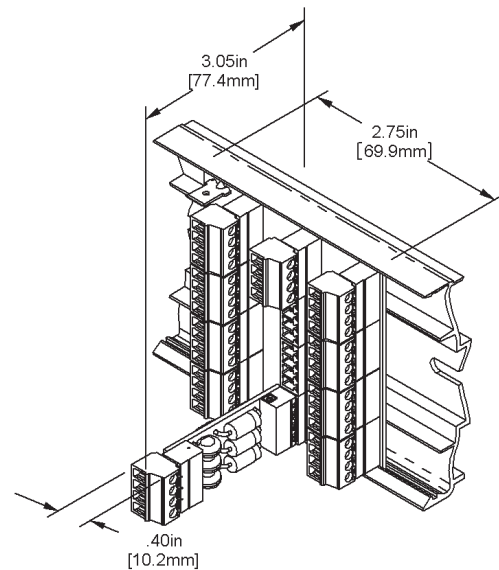
TUCOM - Terminal
Unit Comm. Block
(p. G33)



COMBLK
Comm. Cable
Terminal Block
(p. G22)

Specifications

COMSRG module plugged into a COMBLK
Communications Cable Terminal Block



Clamp Voltage: 6 VDC

Clamp Power: 1.5 Joules

