

Macurco™ Combustible Gas Detector GD-2A

MACURCO
GAS DETECTION



For use with alarm control panels

SIGNALING



Methane and Propane Gas Detection

The GD-2A is a low voltage electronic detector of combustible, heating type gases. The GD-2A is designed for connection to UL Listed Fire Alarm/Burglary Control Panels. Alarm control panels that work on 12 or 24 VDC can provide battery backup to the GD-2A detectors. This product is for use in ordinary indoor locations of family living units and office workspaces. The GD-2A is intended for installation in buildings in non-hazardous locations such as residences, retail stores, office buildings, and institutional buildings. This combustible gas detector has been evaluated by UL for methane (natural gas) and propane (LP) gas. It is NOT designed to detect smoke, fire or carbon monoxide.

Easy Operation

A green LED signifies that the GD-2A is armed. If gas is detected, the Red LED turns on and the alarm condition relay is activated.

Features

- Supervised Sensor
- Simple installation and operation
- SPDT Alarm and N.C. Trouble Relay
- Can be self-restoring or latching
- California State Fire Marshal Listed
- Solid State Electronic sensors: no maintenance or recalibration
- Sensitivity tested based on UL 1484 Standard for Residential Gas Detectors
- Listed to UL Standard 2075 for the Standard for Safety for Gas and Vapor Detector and Sensors



GD-2A Specifications

- Size: 4 ½ x 5 x 1 5/8 inches
- Shipping Weight: 0.54 pound
- Voltage: 12 to 24 VAC or VDC
- Current (non-alarm): 45 mA @ 12 VDC, 22 mA @ 24 VDC, 65 mA @ 12 VAC, 45 mA @ 24 VAC
- Current (in alarm): 70 mA @ 12 VDC, 35 mA @ 24 VDC, 100 mA @ 12 VAC, 65 mA @ 24 VAC
- Color: white
- Sensor Maintenance: not required
- Alarm Relay Rating: 0.125 A, 40 V, 3 VA
- Trouble Relay: 0.250 A, 40 V, 10 VA
- Operating Temperature Range: 32° to 120° F
- Alarm Set Point: Per UL 1484, 25% LEL



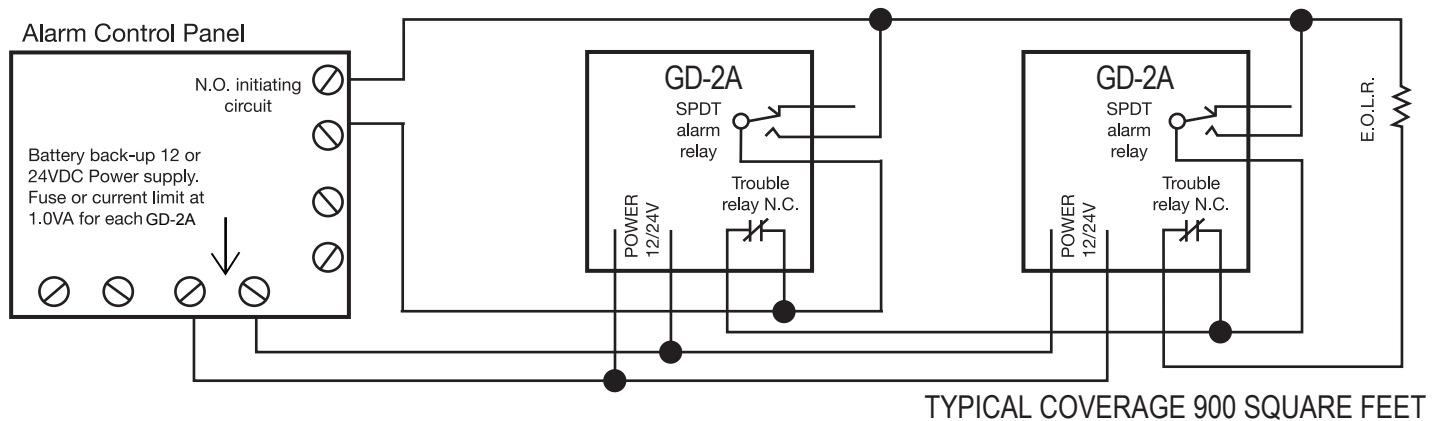
Installation

The three part plastic case allows the GD-2A to be either surface mounted or installed over a four-inch square or double gang electrical box, providing a near flush mount.

Location

A GD-2A is usually located in each room (except kitchens or bathrooms) where there are gas appliances or through which gas pipes pass. Do NOT mount the GD-2A in a corner. Do NOT mount the GD-2A in kitchens or bathrooms - alcohol's, ammonia, cleaning solvents, paint thinner, gasoline vapors, and aerosol propellants (aerosol cans such as hair spray usually contain a combustible gas) may cause alarms. Do NOT mount the GD-2A where the normal ambient temperature is below 32° F (0° C) or exceeds 120° F (50° C). If the gas used is natural gas (methane) mount the GD-2A on a wall about one foot down from the ceiling. If the gas used is propane (LP), mount the GD-2A on a wall or column one foot above the floor. Use the same spacing as for smoke detectors- 30-foot centers, 900 square feet per detector.

TYPICAL CONNECTION OF TWO GD-2A TO AN ALARM CONTROL PANEL



Made in the U.S.A. with US and imported materials

© Aerionics 2015. All rights reserved.
Macurco is a trademark of Aerionics, Inc.

