

Macurco™ Control Panel

DVP-120M

MACURCO
GAS DETECTION



Addressable Detection and Control



Addressable Detection and Ventilation Control Panel

The DVP-120M exhaust fan controller provides automatic control to help maintain an acceptable environment in parking garages or other facilities. The DVP-120M system is designed to meet specifications for safety in enclosed parking garages, including the Uniform Building Code and OSHA 50ppm CO requirements. Using the Macurco MRS-485 Modbus® adapter and 6-Series detectors, the DVP-120M can control up to 87 addressable gas detectors.

Features

- External keypad for user selection of the transducer/alarm display and setting the configuration
- Externally visible LCD display showing the status of each transducer and relay
- Three RS-485 digital input channels - 29 addressable sensors per channel
- Externally visible system, alarm and relay status indicators
- Compatible with all Macurco 6-Series gas detectors and MRS-485 adapter
- Twelve analog (current loop) input channels
- Three 10A, 240 VAC SPDT fan/alarm relays
- Drivers for external Horn and Strobe
- Fail safe operation can be implemented
- Lockable NEMA 1 type enclosure
- Modular input and output connectors
- Up to three ventilation control zones can be defined
- ETL Listed to UL 508A, CAN/CSA-C22.2 No. 14-13
- Each zone can be controlled based on transducer signals and/or time of day



DVP-120M Specifications

- Power Input: 90 – 250 VAC, 1 Amp, 47 – 63 Hz, single phase
- Size: 10.5" x 12.5" x 2." (267 mm x 318 mm x 51 mm)
- Weight: 6 ½ lb (2.9 kg)
- Enclosure: NEMA 1 Type
- Operating Temperature: 32 to 104°F (0° to 40°C)
- Operating Humidity: 0% to 95% RH non-condensing
- Relay Rating (3): SPDT, 120/240 VAC, 10 A resistive
- LCD Display: 2 rows of 16 characters with backlight
- Audible indicator: Internal buzzer, 90 dBA at 1ft
- External Drivers (2): 24VDC, maximum 250 mA
- Relay On Delay: 0 – 15 minutes in 1 second increments
- Relay Off Delay: 0 – 15 minutes in 1 second increments
- RS-485 operates in the Modbus® RTU Transmission Mode
- Status Indicators (LED): Power, ALARM/warning, Hush, Relay 1, Relay 2 & Relay 3

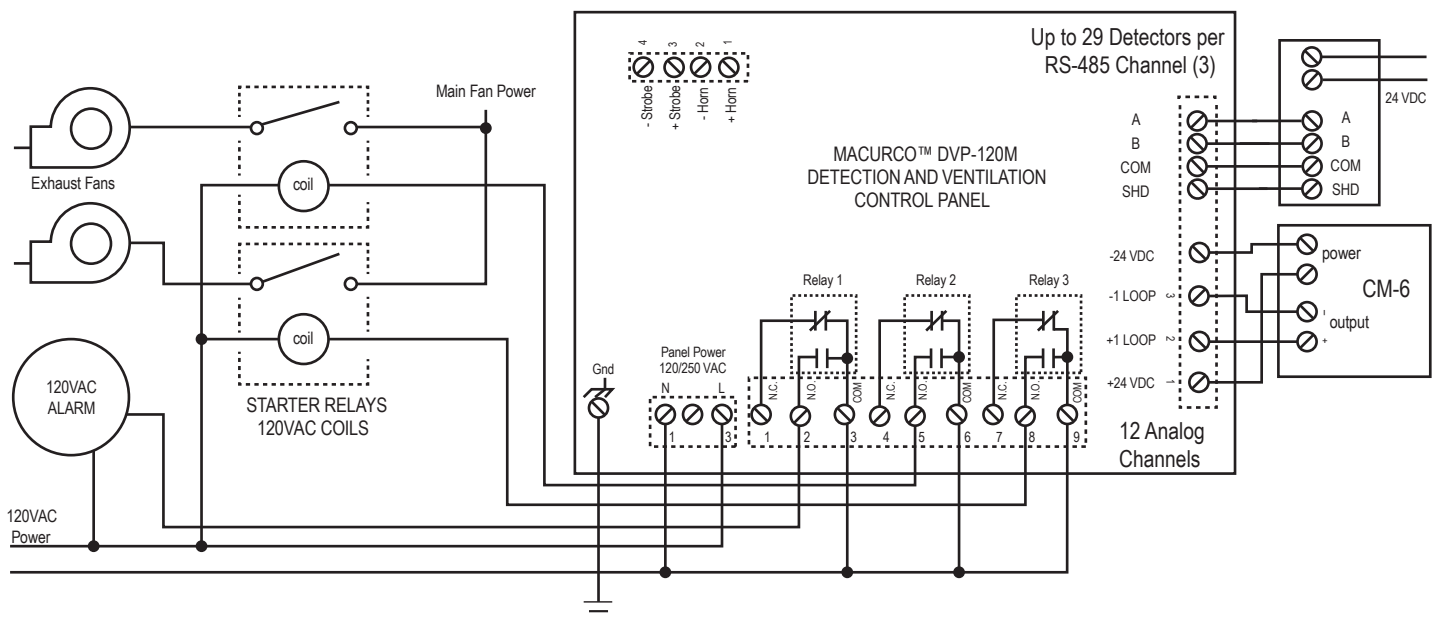


Installation & Connection

Gas detection and exhaust fan control is provided by a Macurco DVP-120M system. System wiring includes main power connection for the DVP-120M, 4-20mA current loop, RS-485 serial interface and 24VDC power connections between the remote detectors and the DVP-120M, the fan control and alarm connections from the DVP-120M to the building ventilation and automation systems. The DVP-120M control panel has three relays which can be used for ventilation fan control or alarm signaling. The ventilation control function operates independently from the alarm function. It provides the ability to configure the DVP-120M for control of one to three zones. Each zone can respond to gas levels at one or more of the sensors, with configurable rising and falling concentrations for each gas type. Each zone can also be controlled based on the time of day.

TYPICAL CONNECTION OF THE DVP-120M CONTROL PANEL

COVERAGE UP TO 500,000 SQAURE FEET



Made in the U.S.A. with US and imported materials

© Aerionics 2015. All rights reserved.
Macurco is a trademark of Aerionics, Inc.

