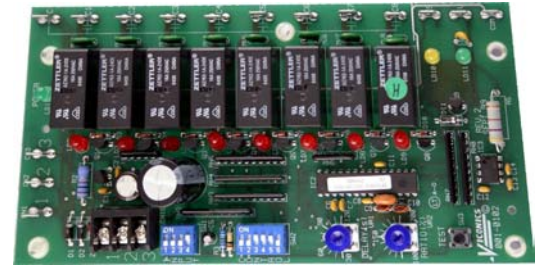




R850 SERIES R850V STEP CONTROLLER WITH INTEGRATED VERNIER STAGE



- Pulsed or analog 0 to 10 Vdc vernier stage
- 4 or 8 step models
- Up to 16 stage total with a slave unit
- Test button

DESCRIPTION

The Viconics R850V series step controller is designed for cost effective, precise modulation of multi-stage control application. A common application is a multi step electric duct heater.

An integrated vernier control output will give a precise and full modulation of the load from 0 to 100% of the total capacity.

FEATURES AND BENEFITS

Microcomputer-based design	Accuracy and reliability
Adjustable inter-stage delay	Provides flexibility in replacement applications
Adjustable Vernier ratio	Simplifies design of proportional stage
Choice of pulsed or analog Vernier output	Permits use of SCR or lower cost SSR
Up to 16 stages	One product family can handle all applications
Choice of LIFO or FIFO sequencing	Increased flexibility of FIFO permits even use of contactors
Test button	Quick troubleshooting

MODELS AVAILABLE

The R850-V is available in 2 models

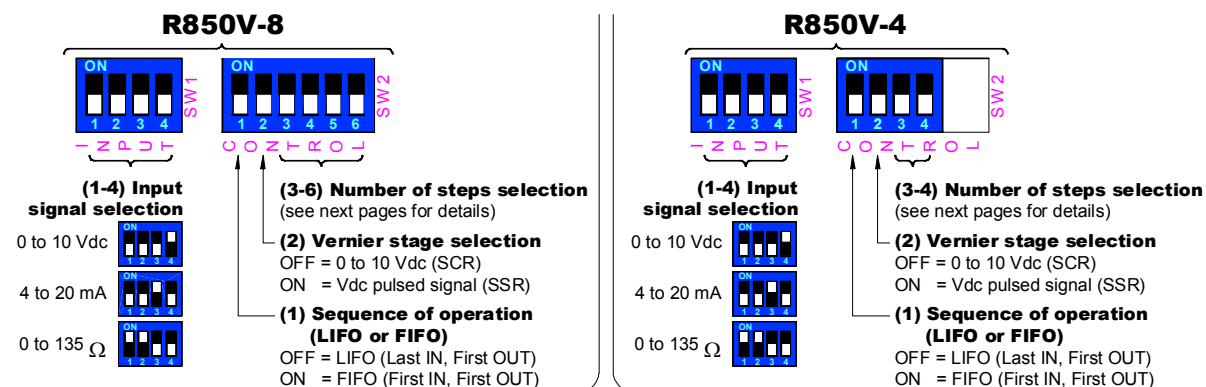
- **R850V-4** 4 stage unit
- **R850V-8** 8 stage unit

If more than 8 stage are required, the R850-V8 can be used as a master unit with another R850V as a slave unit. Adding another unit (R850-V4 or R850-V8) can bring the total step number up to 12 or 16.

INPUT SIGNAL

The R850V has four **INPUT** dip switch (**S1** to **S4**) to select the control signal input: They are compatible with industry standard signals.

DIP SWITCH ADJUSTMENTS & WIRING CONTROL INPUT



OVERRIDE TEST BUTTON

The override test button can be used to by-pass the interstage delay and bring on all stage at one time. This simplifies the verification of configured maximum number of stage.

A status LED per step will come on for each of the configured stage.

SPECIFICATIONS

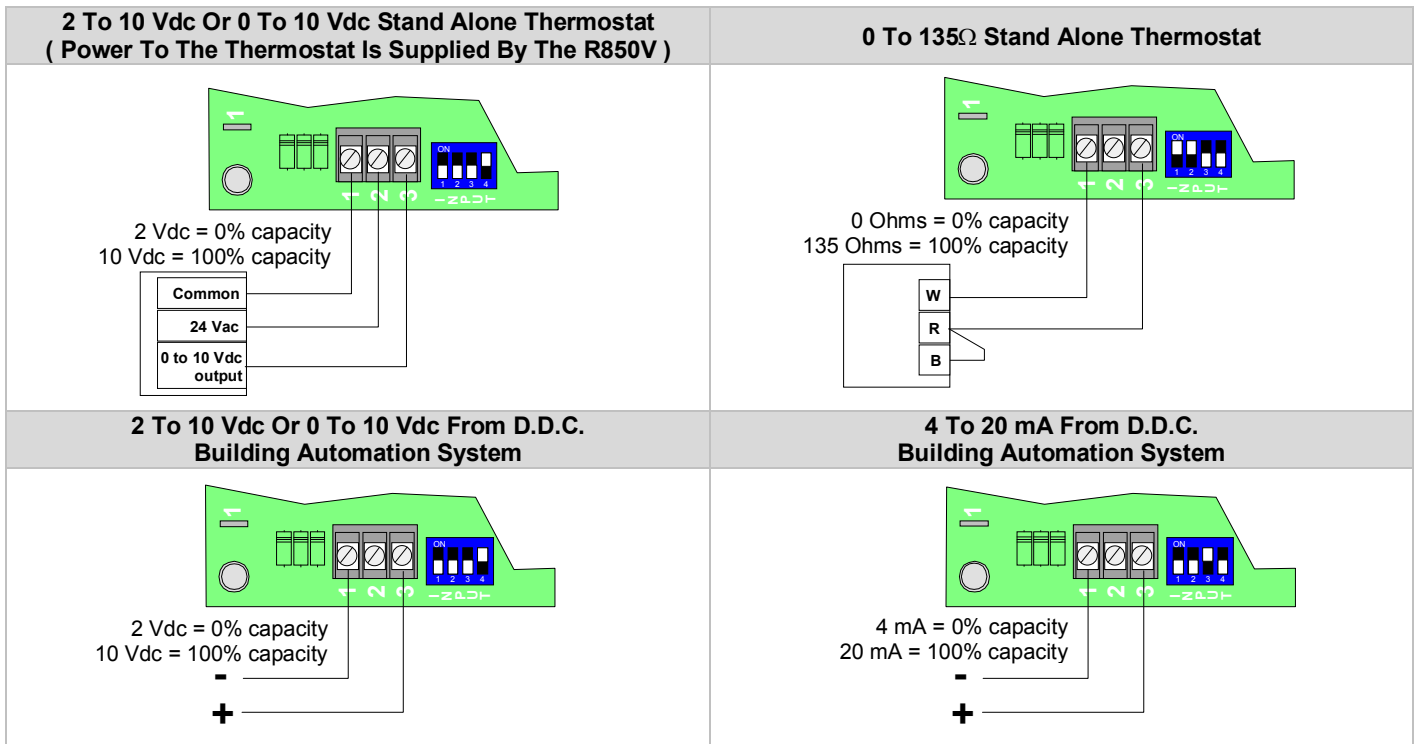
- Operating Conditions: 0°C to 80°C (32°F to 176°F)
- 0 % to 95 % R.H. non-condensing
- Relay outputs: Isolated relay 30 Vac @ 1.0 amps. max. per output, up to a maximum of 4.0 amps. total per R850 controller. See application note 02.
- Vernier stage: Vdc pulsed: 6 Vdc, 30 mA max. 0 to 10 Vdc 5 mA max.
- Input impedance: 0 to 10 Vdc into 10 KΩ minimum
- Power supply: 24 Vac -15%, +10% 50/60 Hz; 4 VA

Use a Class 1 (properly fused) or Class 2, CSA or UL recognized transformer for power supply & relay outputs.

Specifications and equipment are subject to change without prior notice.

Input Signal Switch	Switch #1	Switch #2	Switch #3	Switch #4
0 to 10 Vdc control signal (2 to 10 Vdc control range)	Off	Off	Off	On
4 to 20 mA control signal	Off	Off	On	Off
0 to 135 Ω control signal	On	On	Off	Off

If a slave unit is used, wire the control signal input to the master unit only



24 VAC POWER & RELAY OUTPUT WIRING

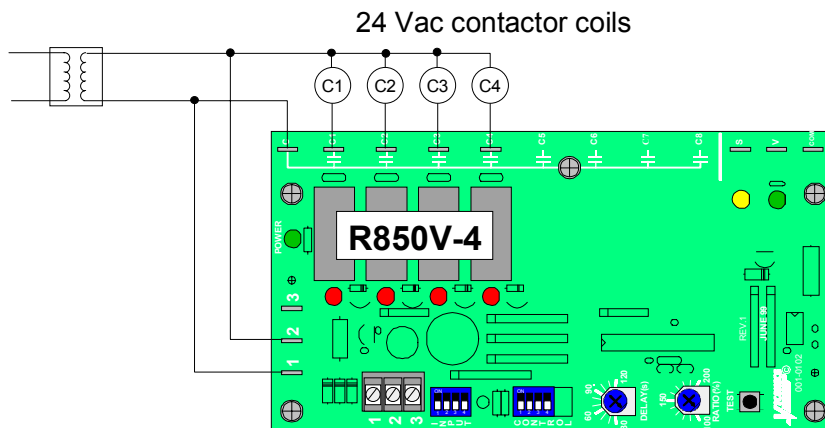
The wiring diagrams are for the R850V-8 models with 8 outputs. The wiring for the R850V-4 is the same except that the unit only has 4 outputs.

Terminals

- Screw terminal & connector #1 Common
- Screw terminal & connector #2 24 Vac
- Screw terminal & connector #3 Control Signal input

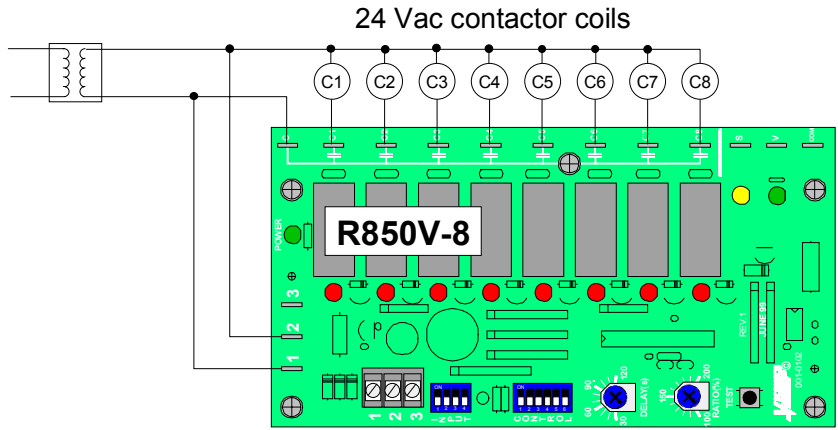
- It is not necessary to ground any leg of the transformer to earth with the controller card.
- The controller uses internally a half wave rectifier bridge. On 0 to 10 Vdc control signal, the reference of the control signal is the Common of the power supply of the SCR controller card.
- Use a Class 1 (properly fused) or Class 2, CSA or UL recognized transformer.

4 STAGE APPLICATION R850V-4



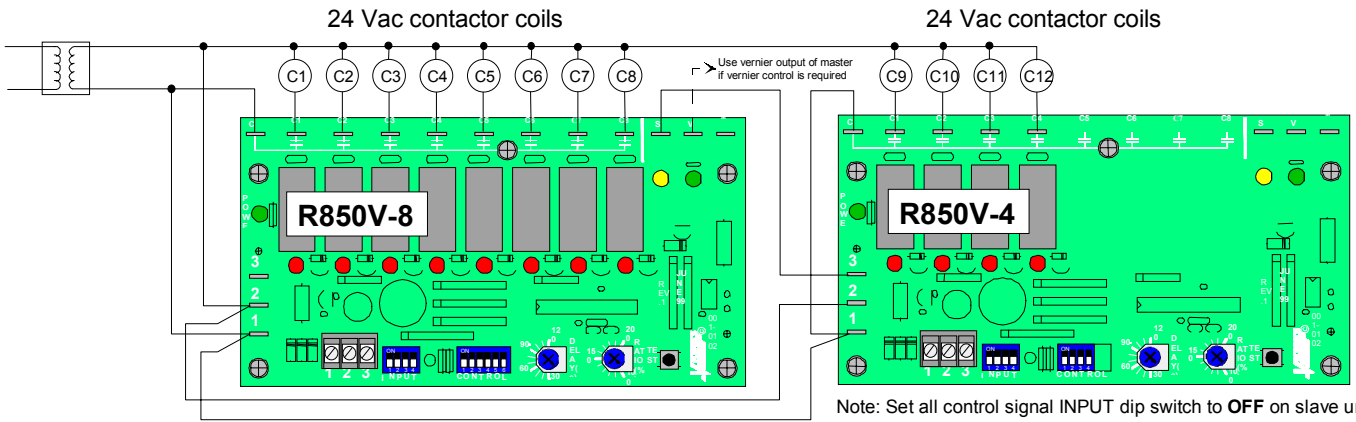
Number of stage	R850V-4 Control Switch	
	Switch #3	Switch #4
1	Off	Off
2	On	Off
3	Off	On
4	On	On

• **8 STAGE APPLICATION R850V-8**



Number of stage	R850V-8 Control Switch			
	Switch #3	Switch #4	Switch #5	Switch #6
1	Off	Off	Off	Off
2	On	Off	Off	Off
3	Off	On	Off	Off
4	On	On	Off	Off
5	Off	Off	On	Off
6	On	Off	On	Off
7	Off	On	On	Off
8	On	On	On	Off

• **12 STAGE APPLICATION R850V-8 MASTER UNIT, R850V-4 SLAVE UNIT (See also slave application section at the end)**

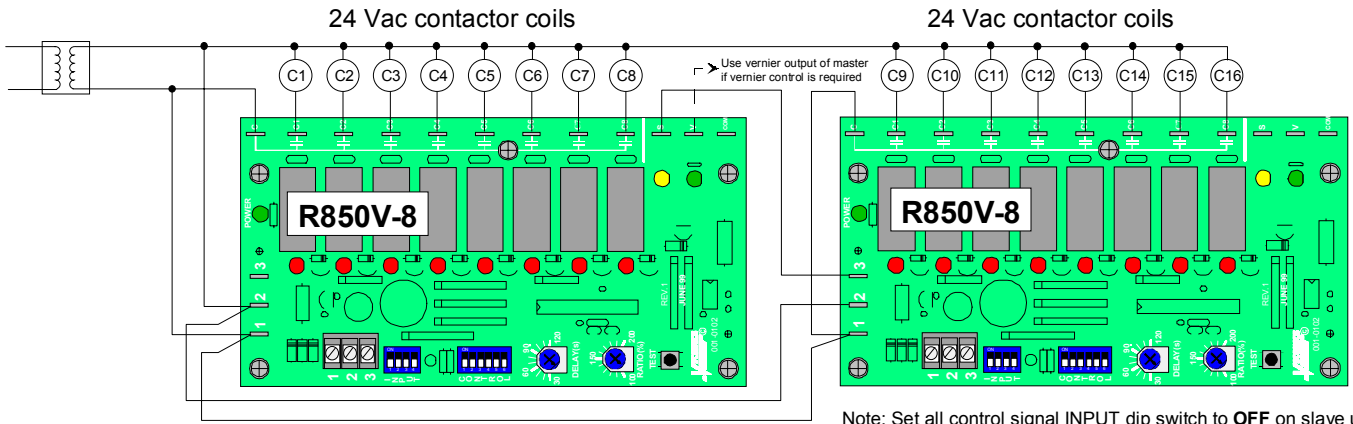


Number of stage	R850V-8 Master Unit Control Switch			
	Switch #3	Switch #4	Switch #5	Switch #6
9	Off	Off	Off	On
10	On	Off	Off	On
11	Off	On	Off	On
12	On	On	Off	On

R850V-4 Slave Unit	
Switch #3	Switch #4
Off	Off
On	Off
Off	On
On	On

The intensity of the yellow status LED on the master unit is proportional to the slave output.

• 16 STAGE APPLICATION R850V-8 MASTER UNIT, R850V-4 SLAVE UNIT (See also slave application section at the end)



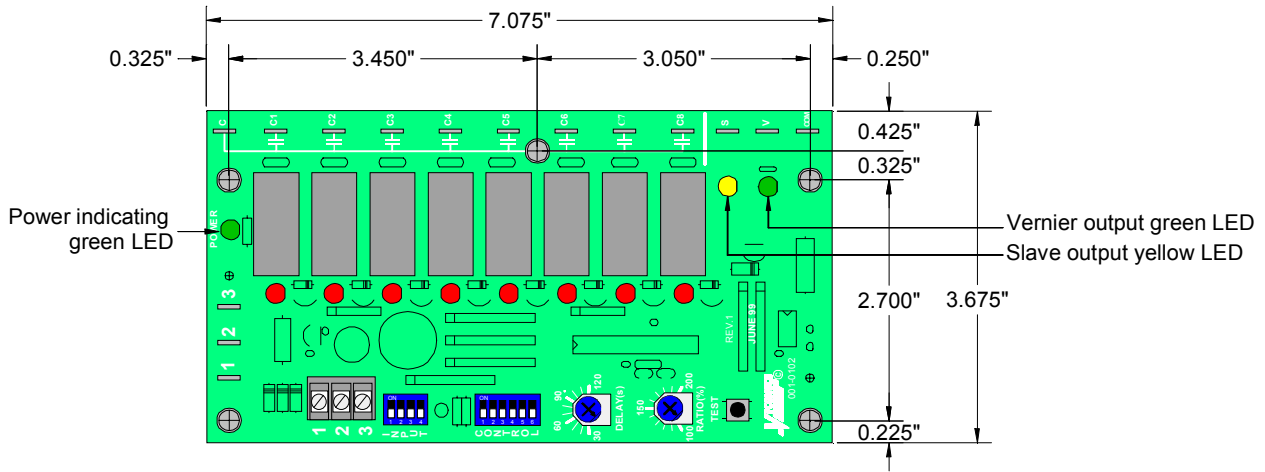
Number of stage
9
10
11
12
13
14
15
16

R850V-8 Master Unit Control Switch			
Switch #3	Switch #4	Switch #5	Switch #6
Off	Off	Off	On
On	Off	Off	On
Off	On	Off	On
On	On	Off	On
Off	Off	On	On
On	Off	On	On
Off	On	On	On
On	On	On	On


R850V-8 Slave Unit Control Switch			
Switch #3	Switch #4	Switch #5	Switch #6
Off	Off	Off	Off
On	Off	Off	Off
Off	On	Off	Off
On	On	Off	Off
Off	Off	On	Off
On	Off	On	Off
Off	On	On	Off
On	On	On	Off

The intensity of the yellow status LED on the master unit is proportional to the slave output.

R850V DIMENSIONS & INSTALLATION



Install on the mounting plate on the electrical cabinet using five #6 pan head metal screw. Do not over torque the screws to prevent damage to the board. Specifications and equipment are subject to change without prior notice.



All R850V series controls are for use only as operating controls. Whenever a control failure could lead to personal injury and/or loss of property, it becomes the responsibility of the user to add safety devices and/or alarm system to protect against such catastrophic failures.

LIFO / FIFO ADJUSTMENT

The R850V series features 2 different staging sequences:

- LIFO LAST IN FIRST OUT (CONTROL SWITCH #1 OFF, FACTORY DEFAULT)**

This is the regular mode, Stage #1 will always be the first to energize and the last stage to de-energize

- FIFO FIRST IN FIRST OUT (CONTROL SWITCH #1 ON)**

In this mode, the stages are rotated to ensure a more uniform wear of the contactors and elements. For example, on an increase in demand, stage 1 will be energized following by stage 2, etc. On a decrease in demand, stage 1 will de-energized first followed by stage 2, etc.

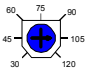
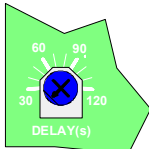
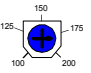
Please verify that if this mode is enabled, the manufactured product still complies with active codes and regulations.

VERNIER STAGE SELECTION AND WIRING

The Viconics R850V series step controller has an integrated vernier control output. This output will give a precise and full modulation of the load from 0 to 100% of the total capacity of the unit. If a master slave application is used, always connect the vernier output of the master unit.

ADJUSTMENTS

Functions of the units can be configured with six dip switch and 2 potentiometers.

	<p>Interstage delay potentiometer setting A potentiometer is used to adjust the interstage delay from 30 seconds up 120 seconds.</p> <p>This delay is active in 3 ways.</p> <ul style="list-style-type: none"> Minimum time delay between each step activation when the control signal rises Minimum ON time when the step is activated Minimum time delay between each step de-activation when the control signal drops 	
	<p>Vernier stage ratio A potentiometer is used to adjust the vernier stage ratio from 100% to 200% capacity of the other on/off stage capacity.</p>	

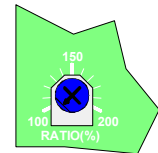
RATIO SETTING (See also slave application section at the end)

First adjust the vernier stage ratio potentiometer. This will insure a smooth capacity rise of the total load.

Example 1:

The total unit has 100 kW divided in 10 equal stage of 10 kW.

If only 10 kW is used as the modulating stage, then the heater would have 9 on/off mechanical stage plus one modulating stage. This modulating stage has the same value as all the other stage. **Adjust the vernier stage ratio potentiometer to 100%.**



Example 2:

The total unit still has 100 kW divided in 10 equal stage of 10 kW.

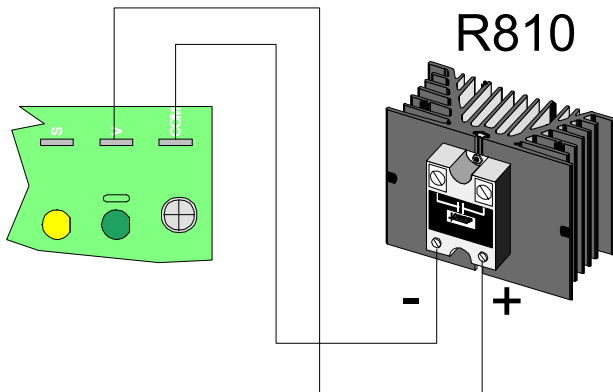
If 20 kW are used as the modulating stage, then the heater would have 8 on/off mechanical stage plus one modulating stage. The modulating stage has twice the value as all the other stage. **Adjust the vernier stage ratio potentiometer to 200%.**

- TYPE OF VERNIER STAGE SETTING**

The vernier stage output can be configured to operate either as a:

- Vdc pulsed output to activate an R810 power module
- 0 to 10 Vdc analog output to activate an R820 SCR power controller.

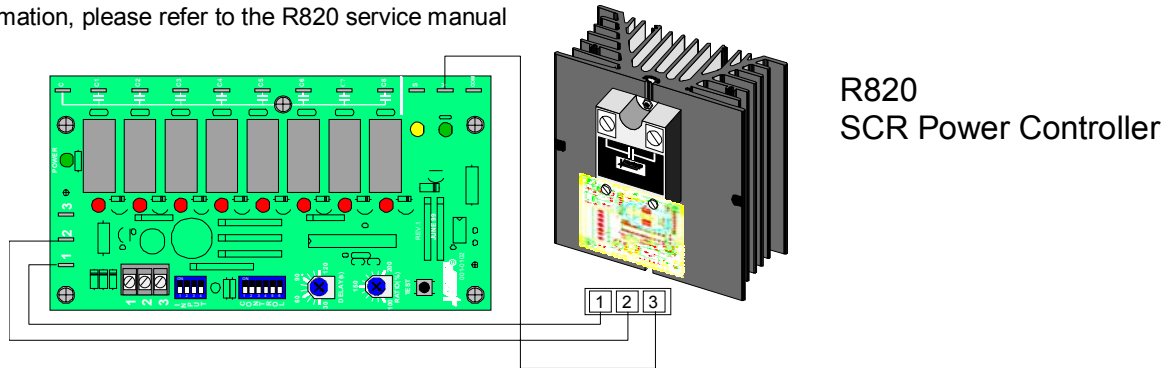
- VERNIER STAGE WIRING**

Control Switch #2 On	Vdc pulsed to activate R810 power modules
	<p>Do not wire more than six R810 power module on the vernier stage output</p> <p>Respect the polarity between the R850 step controller board an the R810 power modules</p> <p>Connect V to + Connect COM to -</p> <p>The green status LED on the master unit will cycle at the same rate as the time proportioning vernier output</p> <p>For more information, please refer to the R810 service manual</p>

Set the **R820 SCR** power controller to accept a 0 to 10 Vdc control signal input
Switch #1, #2 & #3 Off Switch #4 On

The intensity of the green status LED on the master unit is proportional to vernier output

For more information, please refer to the R820 service manual



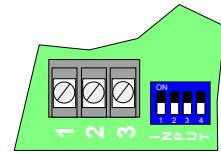
SLAVE APPLICATION SECTION

When using a unit for slave applications, it is important that the proper adjustments & setting be made to the unit for proper operation of the system.

The yellow LED near the vernier output connector is proportional to the vernier output of the master unit (0 to 5 Vdc).

On the slave unit:

- Set vernier ratio potentiometer to 100%
- Set interstage delay potentiometer to the same value as the master unit
- Set all control signal **INPUT** dip switch to **OFF**



TEST MODE BUTTON

The test mode button can be used to verify if the number of stage have been configured properly.

1. Press and hold the button for 3 to 4 seconds.
2. If a slave unit is used, press & hold the 2 units button simultaneously
3. All the selected stage will come on, one after the other until all selected number of stages are all on.
4. There is a delay of approximately 5 second between each step activation.
5. When all selected stage are on, they will stay on for approximately 30 seconds before shutting down.

Powering up the R850V controller while holding down the test button will by-pass the interstage delay for 10 minutes. During that period, the unit will respond to a changing signal input very rapidly. Also hold down slave test button on start-up if a slave unit is used. After that 10 minute period, the unit will function normally with the interstage delays active