

Project: _____

Tag: _____

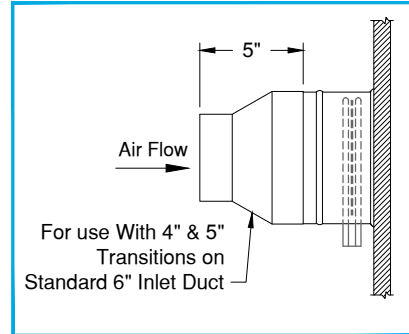
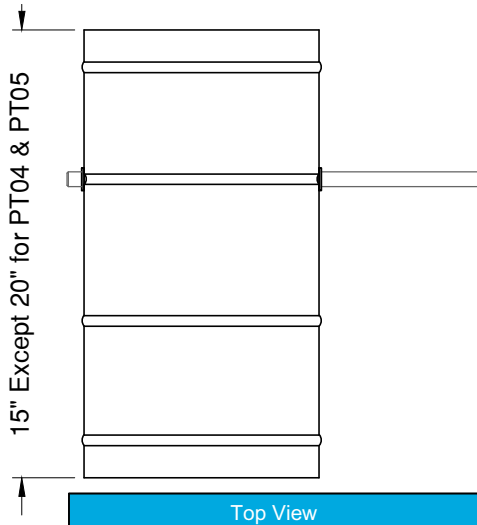
Engineer: _____

Contractor: _____

Date: _____

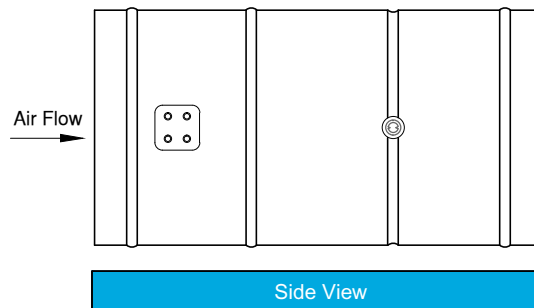
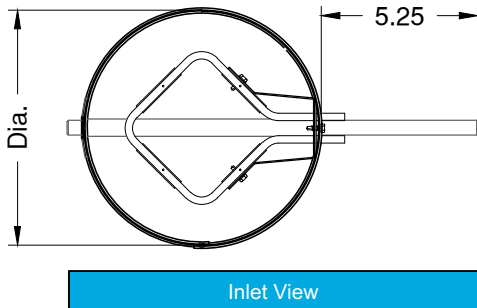
**ROUND RETROFIT AIR TERMINAL UNIT
MODELS: PT**

SUBMITTAL: PT-001



Note:
PT04 & PT05 have round 4" & 5" to 6" transitions respectively on the inlet of an PT06 unit with low flow sensors.

An optional transition is available for the discharge end.



Model Number	Inlet Diameter	
	In.	mm
PT04	3.88	99
PT05	4.88	124
PT06	5.88	149
PT08	7.88	200
PT10	9.88	251
PT12	11.88	302
PT14	13.88	353
PT16	15.88	403

Standard Construction

- Units Are Constructed With 22 Gauge Galvanized Steel And 18 Gauge Equivalent Damper Assembly With Integral Blade Seal