



## Product Data

### A/ASCS Series Split-Core Adjustable Current “Status” Switches

## Product Description

The A/ASCS and A/ASCSX series current switches are available in a split-core with either Normally-Open (N/O) or Normally-Closed (N/C) output configurations. All of these sensors will have a solid-state output with an adjustable trip point (setpoint). These current switches are ideal for providing status information on any type of AC current using equipment.

These current switches should be used in applications in which a current switch with adjustable trip point is required. A change in the operating current may indicate motor failure, belt loss/slippage, or mechanical failure. Any time one of these events occurs, the current can significantly increase or decrease, thus tripping the sensor, and notifying the Building Management System of an alarm condition.

The A/ASCS and A/ASCSX series current switches can be used to monitor devices with a maximum continuous operating current of 200 to 250 Amps depending on the model. These current switches will not need to be externally powered, since the power for the switch is induced from the conductor being monitored. Another great feature of the A/ASCS and A/ASCSX series current switches is that they include a Red and Green LED that will indicate the “Status” of the switch contacts.

The A/ASCS Series is covered by ACI's Five (5) Year Limited Warranty, which is located in the front of ACI'S SENSORS & TRANSMITTERS CATALOG or can be found on ACI's web site, which is: [www.workaci.com](http://www.workaci.com).

## Product Specifications

<b>Sensor Power</b>	Induced from monitored conductor
<b>Amperage Rating</b>	See Ordering Info on Back
<b>Operating Frequency</b>	40 to 1 kHz
<b>Isolation Voltage</b>	2,200 VAC
<b>Max. Sensing Current Voltage</b>	600 VAC
<b>Output Switch Rating</b>	A/ASCS (N/O): 0.3A @ 200 VAC/VDC A/ASCSX (N/C): 0.15A @ 300 VAC/VDC
<b>Status LED Indication</b>	Red LED - Above Trip Point Green LED - Below Trip Point
<b>Aperture (Hole) Size</b>	0.75", Accepts up to 350 MCM Cables
<b>DIN Rail Size</b>	35mm
<b>Unit Weight</b>	0.21 lbs
<b>Operating Temperature Range</b>	-15 to 40°C (5 to 104°F)
<b>Operating Humidity Range</b>	0 to 95% RH, non-condensing
<b>Hysteresis (Dead Band)</b>	10% Setpoint, Typical

**Note:** DO NOT use the LEDs to indicate whether the sensors have power applied to them.

Wiring Diagrams available at [www.workaci.com](http://www.workaci.com)

## Current



### Attributes:

- Split-Core design is suited for retrofit applications
- Red and Green status LEDs
- Patented 35mm Din-rail mounting flange (US Patent 7,416,421)
- Models rated to 200 and 250 Amps
- Limited 5 year warranty
- UL94-5VB (enclosure rating)

### Applications:

- Monitoring overload, underloads, and normal operating conditions
- Monitoring belt loss/ slippage
- Monitoring Filter Status
- Rated for industrial use (UL508)



Made in the USA

**Automation Components, Inc.**  
2305 Pleasant View Rd.  
Middleton, WI 53562  
PH: (608) 831-2585  
FAX: (608) 831-7407

TEMPERATURE

RELATIVE HUMIDITY

PRESSURE

CURRENT

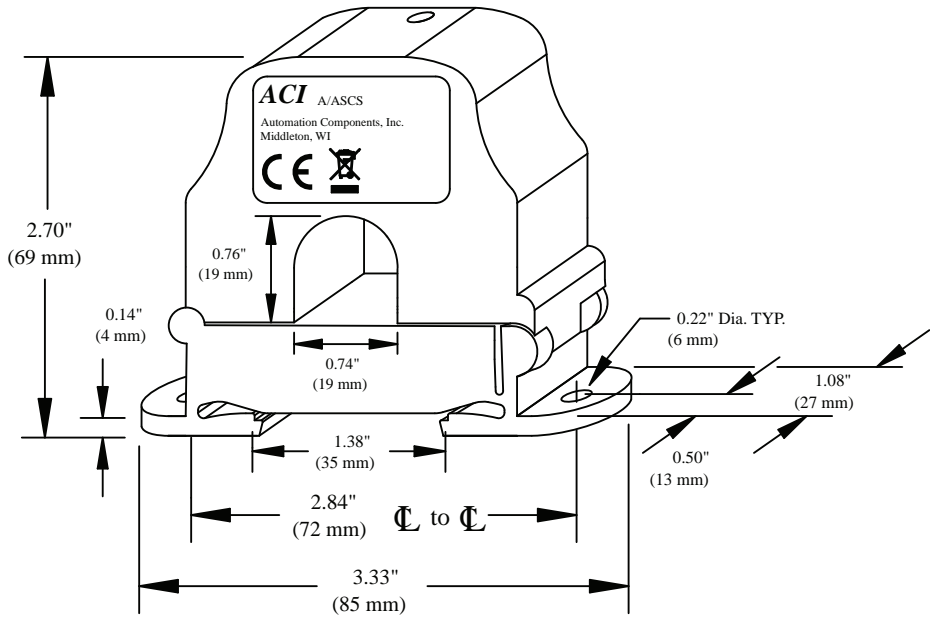
GAS SENSORS

ACCESSORIES

INTERFACE DEVICES

# Dimensions

## Split-Core



## Ordering Information

ACI Model #	Description	Adjustable Trip Point	Output Switch Rating
A/ASCS	Split-Core, Current Switch, N/O, 0-200A	3.00-200 Amps	0.30A @ 200 VAC/VDC
A/ASCS-L	Split-Core Current Switch, N/O, 0-200A	2.00-200 Amps	0.30A @ 200 VAC/VDC
A/ASCSX	Split-Core Current Switch, N/C, 0-250A	3.00-250 Amps	0.15A @ 300 VAC/VDC
A/ASCSX-L	Split-Core Current Switch, N/C, 0-250A	2.50-250 Amps	0.15A @ 300 VAC/VDC



**Warning:** Not intended to be used in Life & Safety Applications or for use in any hazardous locations.

2305 Pleasant View Road Middleton, WI 53562  
 PH: (888) 967-5224 www.workaci.com

TEMPERATURE  
RELATIVE HUMIDITY  
PRESSURE  
CURRENT  
GAS SENSORS  
ACCESSORIES  
INTERFACE DEVICES