

**Advanced Features With
Easy Keypad Programming**

Many Need-To-Use Features On One Easy-To-Use Thermostat

With the T7351F, Honeywell has taken the popular T7300 to the next level — adding more features while making it easy to use. The T7351F boasts 365-day programming, advanced dehumidification and enhanced remote sensing capabilities that can all be programmed using the keypad. In short, the T7351 provides premium commercial comfort control.

Customer Comfort

The T7351F is loaded with features that provide advanced comfort, including five types of advanced dehumidification and numerous combinations of remote sensing options. Temporary overrides, +/-1° F control that ensures the room space stays within the desired temperature range and additional features all add up to a great combination of customer comfort and energy savings.

Advanced Dehumidification

Program the T7351F for occupant comfort in humid climates.

- **Simple Dehumidification:** An auxiliary output that will activate when humidity exceeds the desired setpoint makes the T7351F ideal for customers who have dedicated dehumidification equipment.
- **Hot Gas Bypass:** Similar to simple dehumidification, the auxiliary output can be used to activate a hot gas bypass valve, which is ideal for customers that have purchased equipment with hot gas bypass capability.
- **Reheat:** When humidity is high, the T7351F can run both heating and cooling simultaneously, thus truly dehumidifying the air while not significantly changing the temperature.
- **Temperature Reset:** The T7351F can lower the setpoint by

up to 5° F when humidity is high — perfect for customers who are strictly looking to maintain comfort.

- **Minimum Compressor On Time:** The T7351F can activate the air conditioning for a specified amount of time every time there is a need for cooling.

Universal Application Flexibility

The T7351F will control almost any commercial rooftop equipment on the market, allowing you to reduce your inventory by carrying a single model.

- For conventional control, the T7351F can control up to 3 heat/3 cool or 2 heat/4 cool.
- For heat pump control, the T7351F can control up to 3 heat/2 cool.

Energy Savings

The T7351F offers numerous energy-saving features:

- **Title 24 Energy/Air Quality Compliance:** Override Limits meet all override limitation requirements. Qualifies for utility rebates, where applicable.
- **Enables an Economizer:** Economizer controls are compatible with the T7351F and save energy by bringing in cool outdoor air when there is a need for cooling. Some economizer models also adjust an outdoor damper position based on indoor air quality (CO₂) for demand control ventilation. The Demand Control Ventilation economizers have the latest features including indoor air quality maximum output, night setback terminal and drive a 2-10 volt motor.
 - W7459, W7210 (economizer only)
 - W7212, W7213, W7214 (economizer and Demand Control Ventilation)
- **365-Day Programming and Scheduling:** Lets you customize settings to the building's hours of operation. For example, if your building is shut down for five days of the year for holidays, you can program the T7351F so your equipment won't run as if the area was occupied. Set it and forget it.

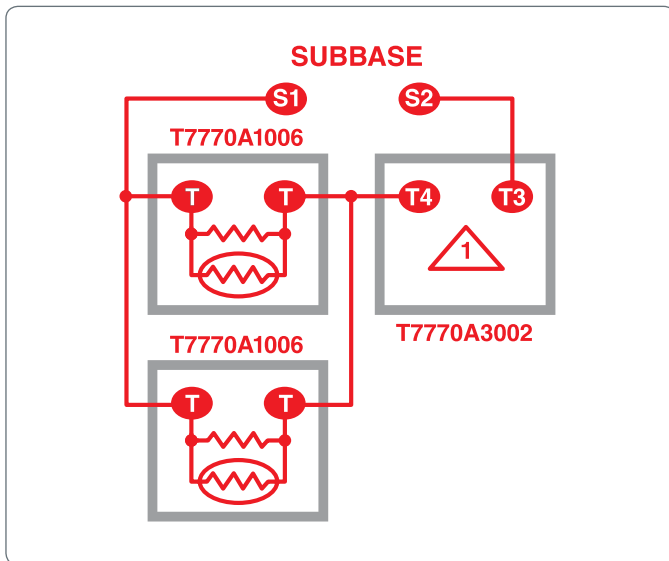


Remote Sensing

Able to work with a full line of indoor, outdoor and humidity sensors, the T7351F allows for more sensing and control and for optimum placement of sensors. The T7351F can be configured using Honeywell's line of 10K ohm and 20K ohm commercial sensors, supporting the following applications that residential thermostats don't:

- **Temperature Averaging Networks:** Because commercial thermostats can be configured to a 20K ohm network, temperature average networks of anywhere from 1, 2, 3, 4, 5, 6, 7, 8, 9 (+) sensors can be deployed. Combinations of 10K ohm and 20K ohm sensors are used to create the averaging network.

Below is an example of a temperature averaging network, averaging three Honeywell remote sensors.



- **Room Temperature Control**

Performed via a sensing network using the following sensors:

- Wall Sensors – T7770A3002 (10K), T7770A1006 (20K)
- Flush Mount Sensors – C7772A1004/C7772A1012 (20K)
- Button Sensors – C7041P (20K)

- **Duct Return Temperature Control**

Performed using the following 20K sensors:

- C7041B/C7041C/C7770A/C7041J.

Model	Model #	Description
T7351F	T7351F2010	Conventional/Heat Pump

Compatible Sensors for T7351F Commercial Thermostats

Remote Room Sensors	
T7770A1006	20K Sensor
T7770A3002	10K Sensor for Averaging
T7770B1046	20K Sensor with +/- 5° F Setpoint Adjust
T7770C1044	20K Sensor with +/- 5° F Setpoint Adjust and Bypass
T7770D1000	20K Sensor with Bypass
T7771A1005	20K Sensor with +/- 3° F Setpoint Adjust and Bypass
Remote Humidity Sensors	
H7625A1008	2% Accuracy Wall Mount
H7625B1006	2% Accuracy Duct Mount
H7635A1006	3% Accuracy Wall Mount
H7635B1004	3% Accuracy Duct Mount
H7635C1002	3% Accuracy Outdoor
H7655A1001	5% Accuracy Wall Mount
H7655B1009	5% Accuracy Duct Mount
Discharge Air Sensors	
C7041B2005	20K Discharge Air Sensor, 5" Duct Insertion
C7041B2013	20K Discharge Air Sensor, 12" Duct Insertion
Outdoor Air Sensors	
C7031G2014	3K Platinum Outdoor Air Sensor
C7170A1002	3K Platinum Outdoor Air Sensor

Temporary Override/Lockout

Great for businesses where people sometimes work extended hours, this feature gives users the flexibility to temporarily change the temperature. The T7351F saves energy and money by preventing unauthorized setting changes.

Energy Savings Calculator

This handy energy savings tool can help building owners and managers calculate the savings realized from using the T7351F based on schedule setup, usage of the 365-day clock, fuel cost increases, setpoint variations and geographic location. To access, simply visit <http://thermostatestimatingtool.honeywell.com>.

Part Of The Complete Honeywell Commercial Thermostat Line

When you add the ultimate commercial programming flexibility of the T7351F to the easy-to-use Commercial VisionPRO® 8000 and CommercialPRO® 7000 thermostats, Honeywell has you covered for every commercial building application and customer.

Feature Comparison of T7350D vs. T7351F vs. T7300

Feature	T7350D	T7351F	T7300
Palm Configuration	•		
Keypad Configuration		•	•
7-Day Programming	•	•	•
365-Day Programming	•	•	
PID Loop Tuning	•		
Advanced Dehumidification	•	•	
Outdoor Air Sensing	•	•	•
Discharge Air Sensing	•	•	•
Outdoor and Discharge Air Lockouts	•	•	



T7350D



T7351F



T7300

T7351F Quick Reference Application Guide

Noted below are the most beneficial features by vertical market

Vertical Market Strengths	Schools	Banks	Healthcare	Gyms, Theatres	Office	Churches	Restaurant	Retail	Warehouse	Public Museums, Libraries
Advanced Comfort Control Algorithm	•	•	•	•	•	•	•	•	•	•
Advanced Dehumidification	•		•	•				•	•	•
Commercial Code Compliant	•	•	•	•	•	•	•	•	•	•
Customizable Recovery Ramp		•	•		•		•	•		
Economizer/Demand Control Ventilation Output	•	•	•	•	•	•	•	•	•	•
Equipment Lockout Options	•	•	•	•	•	•	•	•	•	•
Equipment Protection – Discharge Air Sensor	•	•	•	•	•	•	•	•	•	•
Holiday Scheduling	•	•		•	•		•	•		•
Occupancy Sensor Integration	•				•	•				
Remote Sensing			•	•	•	•	•	•		•
Temporary Override (1-8 hrs.)	•				•					

Learn More

For more information on Honeywell T7351F Commercial Thermostats, call 1-800-466-3993 or visit customer.honeywell.com.

Automation and Control Solutions

In the U.S.:

Honeywell

1985 Douglas Drive North
Golden Valley, MN 55422-3992

In Canada:

Honeywell Limited

35 Dynamic Drive
Toronto, Ontario M1V 4Z9
www.honeywell.com

In Latin America:

Honeywell

9315 N.W. 112th Avenue
Miami, FL 33178
www.honeywell.com

Honeywell