



TR21-WS, TR23-WS, TR21-WK, TR23-WK, WRECVR

The WRECVR receiver and TR21-WS, TR23-WS, TR21-WK, and TR23-WK are a family of wireless wall modules and receiver for use with:

- Spyder Unitary Controllers: PUL, PVL, etc.
- Excel 10 W7750, W7751, W7752, and W7753 controllers
- T7350, T7351, and TB8575 low-voltage SuitePRO™ thermostats
- Will not work with TB7220, TB8220 or TB line voltage thermostats, XL15s, W7762, W7763 or certain other XL controllers,
- Will work with WEBs-AX™ I/O Module products if using a separate transformer
- Compatibility with various other non-Honeywell controllers that accept 10K type2 NTC temperature inputs

SPECIFICATIONS

Models:

TR21-WK: Kit (TR21 and WRECVR bound at factory)

TR23-WK: Kit (TR23 and WRECVR bound at factory)

Replacements:

TR21-WS: Wireless Temperature sensor

TR23-WS: Wireless Temperature sensor, with Setpoint Knobs (°F, °C, and Relative [warmer to cooler]), O/R Button, and LED

WRECVR: Receiver

Environmental Ratings:

- Wall Module Operating Temperature: 45° to 99°F (7° to 37°C).
- Receiver Operating Temperature: -40° to 150°F (-40° to 65.5°C).
- Storage Temperature: -40° to 150°F (-40° to 65.5°C).
- Operating Humidity: 5% to 95% RH (non-condensing)

Dimensions: See Fig. 1 and 2.

Accuracy: +/- 1°F (+/- 0.5°C) across 12°C to 30°C

Setpoint Range for TR23: 56° to 84°F (13° to 29°C)

Accessories: 50007298-001 (pack of 12) medium, cover plate; 6-7/8 x 5 in. (175 x 127 mm).

Power:

Receiver Voltage: 20 – 30VAC/DC, 50/60Hz; 24VAC typical

Housing:

Wall Module: UL94-HB, Receiver: UL94-5VA

Radio Frequency 2.4 GHz (IEEE Std 802.15.4-2003 compliant)

- Open Range: 3000 feet
- Typical Range: 100 feet
- Output power: 16dBm
- Receiver power consumption: <1.5VA @ 24VAC
- Approximate battery life under normal operating conditions:
 - 5 years with two AA Alkaline batteries (included)
 - 7.5 years with two AA Lithium Batteries

Transmission interval: 30 seconds

Pressing override button or signal strength button will force an immediate transmission.

SPECIFICATION DATA

FEATURES

- **Wall module to Receiver (point to point) wireless kits can replace any standard wired sensor**
- **Wireless Kits (wall module and receiver) are pre-bound at the factory for quick installation**
- **Signal Strength LED built into the wall module**
- **Low battery indication**
- **Optional dip switches available to bind any wall module to any receiver**
- **Approximate 5 year battery life with AA Alkaline (included), 7.5 year with Lithium**
- **Locking screw discourages tampering and battery theft.**

Approvals:

This device complies with Part 15 of the FCC rules. Operation is subject to the following two conditions:

- 1) this device may not cause harmful interference, and
- 2) this device must accept any interference received, including interference that may cause undesired operation.

General Rules for Installing Wireless Wall Modules

Communication between the wall module and receiver can be influenced by a number of factors. Type and thickness of building materials and the way in which they are oriented in relation to the wall module and receiver will affect communication.

Do not place either the wall module or receiver inside metal cabinets or enclosures. Try to orient the wall module and receiver so that if they are separated by a wall(s), the direction of signal travel is as perpendicular to the wall(s) as possible. This reduces the effective wall thickness.

When mounting the receiver on a metal duct, stronger communication is possible if the wall module is on the same side of the duct so the signal doesn't need to travel through the metal duct.

Reduce as much as possible the amount of metal (ducts, file cabinets, etc.) between the sensor and the wall module.

Standard drywall (gypsum board) does not greatly affect signal strength.



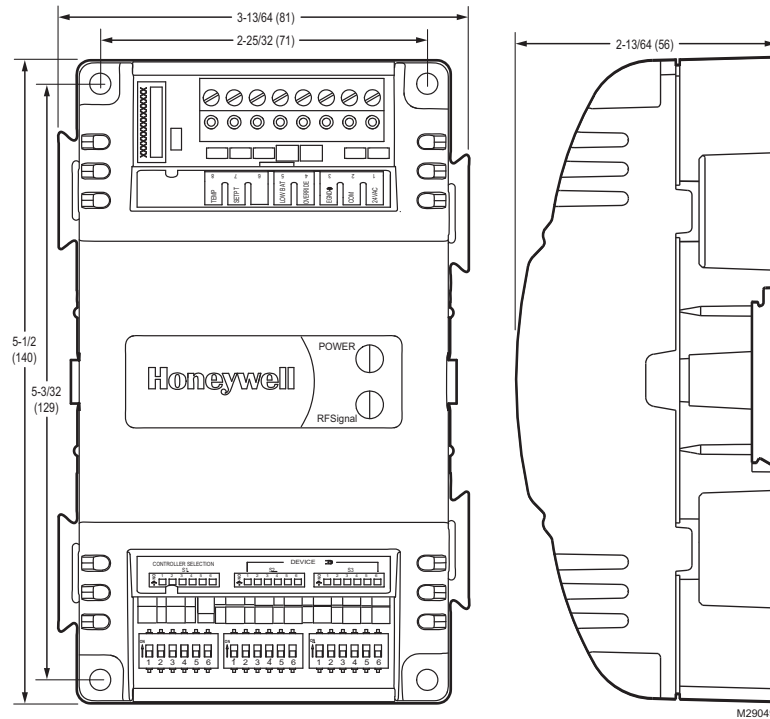


Fig. 1. Receiver dimensions in in. (mm).

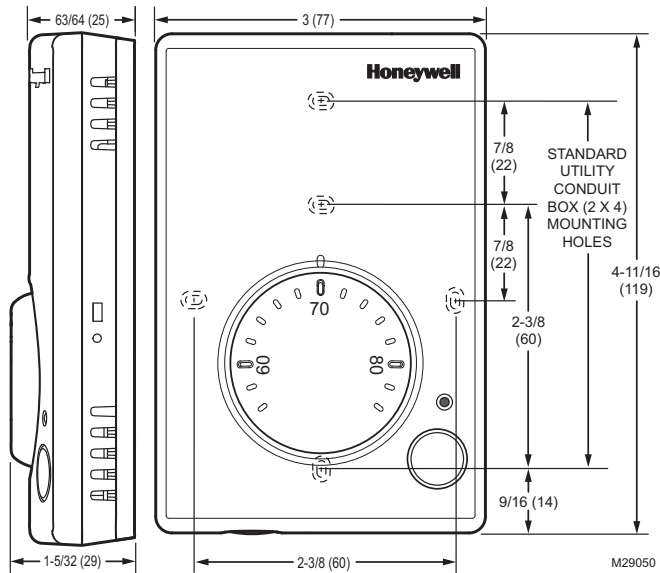


Fig. 2. Wall Module subbase dimensions in in. (mm) (TR23 shown)

Automation and Control Solutions

Honeywell International Inc.
 1985 Douglas Drive North
 Golden Valley, MN 55422
 customer.honeywell.com

Honeywell Limited-Honeywell Limitée
 35 Dynamic Drive
 Toronto, Ontario M1V 4Z9

